

PARTS LISTS

FOR ALL
MOONEY CONTROLS MANUFACTURED PRODUCTS

- **Flowgrid[®] Valves**
- **FlowMax[®] Valves**
- **Series 20 & 20L Pilots**
- **Type 24 Restrictors**
- **Type 30 Filters**
- **Type 26 Inspirator**
- **Pilot to Actuator Mounting Hardware**
- **Line Bolt Kits & Parts Kits**

TABLE OF CONTENTS

1" SINGLE PORT VALVES	3
1" FLOWGRID 250 VALVES	4
2" X 1" DUAL PORT VALVES	5
2" FLOWGRID 250 VALVES	6
2" STANDARD SINGLE PORT VALVES	7
2" STANDARD SINGLE PORT E/F ADAPTER.....	8
2" STANDARD DUAL PORT VALVES	9
2" LARGE SINGLE PORT VALVES.....	10
2" LARGE SINGLE PORT E/F ADAPTER.....	11
2" LARGE DUAL PORT VALVES	12
3" SINGLE PORT VALVES	13
4" X 3" DUAL PORT VALVES	14
4" SINGLE PORT VALVES	15
6" SINGLE PORT VALVES	16
8" SINGLE PORT VALVES	17
10" V-6" DUAL PORT VALVES	18
12" V-8" DUAL PORT VALVES	19
2" FLOWMAX VALVES.....	20 - 21
3" FLOWMAX VALVES.....	22 - 23
4" FLOWMAX VALVES.....	24- 25
6" FLOWMAX VALVES.....	26- 27
TYPE 24 RESTRICTOR	28
TYPE 30 FILTER	29
TYPE 26 INSPIRATOR.....	30
SERIES 20 BRASS PILOT	31 - 32
SERIES 20S STAINLESS STEEL PILOT	33- 34
SERIES 20H BRASS PILOT	35 - 36
SERIES 20HS STAINLESS STEEL PILOT	37 - 38
SERIES 20L BRONZE PILOT	39- 40
SERIES 20L ALUMINUM PILOT	41 - 42
PILOT TO ACTUATOR MOUNTING HARDWARE.....	43
LINE BOLT KITS	44
PILOT & RESTRICTOR REBUILD & O-RING SEAL KITS.....	45
FLOWGRID REBUILD KITS.....	46
FLOWMAX REBUILD KITS.....	47
STOCK NUMBER INDEX	48

PARTS LIST - 1" SINGLE PORT VALVES

Includes: 1", 1 1/4", 1 1/2" NPT/SWE & 2" x 1" RF Flanged CL 150-600,
2" x 1" NPT/SWE & 1" RF Flanged CL 150-600

1"
Single
Port

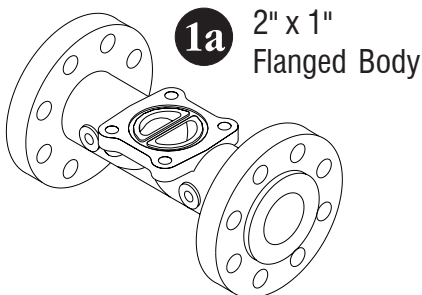
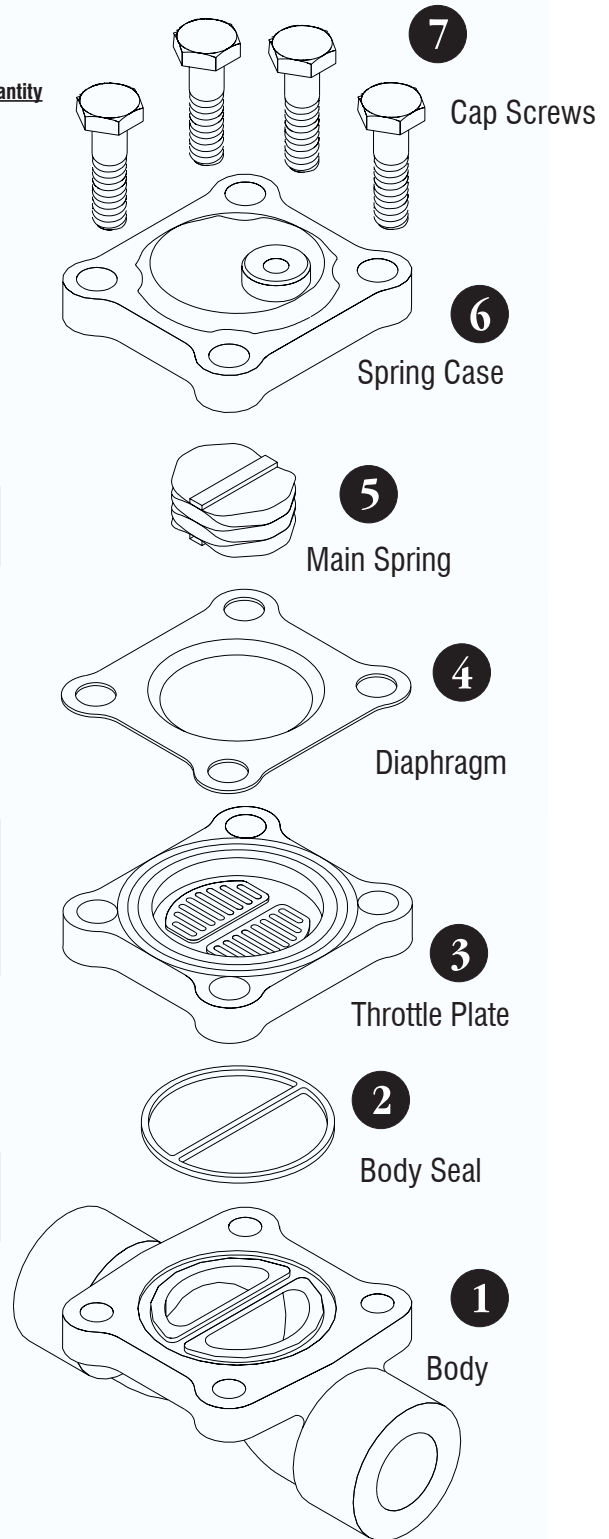
Item	Description	Material	Part Number	Quantity
1	Body - Single Port	Carbon Steel (A 216 Gr. WCB)		1
	1" NPT End Connection (FG-11)†		101-051-01	
	1 1/4" NPT End Connection (FG-13)†		101-053-01	
	1" SWE Connection (FG-12)†		101-052-01	
	1 1/4" SWE Connection (FG-14)†		101-054-01	
	1 1/2" NPT End Connection (FG-47)†		101-080-01	
	1 1/2" SWE Connection (FG-48)†		101-081-01	
	1" x 1" CL 150 RF Flange* (FG-54)†		101-035-01	
	1" x 1" CL 300 RF Flange* (FG-55)†		101-036-01	
	1" x 1" CL 600 RF Flange* (FG-56)†		101-037-01	
	2" x 1" NPT Connection (FG-49)†		102-070-01	
	2" x 1" SWE Connection (FG-50)†		102-072-01	
1a	2" x 1" CL 150 RF Flanged (FG-51)†		102-085-01	
	2" x 1" CL 300 RF Flanged (FG-52)†		102-086-01	
	2" x 1" CL 600 RF Flanged (FG-53)†		102-087-01	
2	Body Seal			1
	Nitrile	Nitrile	101-059-01	
	Viton®	Viton®	101-059-02	
3	Throttle Plate			1
	100% Capacity Flowgrid	17-4PH SST	101-055-01	
	75% Capacity Flowgrid	17-4PH SST	101-083-01	
	50% Capacity Flowgrid	17-4PH SST	101-063-01	
	35% Capacity Flowgrid	17-4PH SST	101-061-01	
3a	Throttle Plate			
	100% Capacity Drilled Hole	A 515 w/ ENC Coating	101-084-01	
	75% Capacity Drilled Hole	A 515 w/ ENC Coating	101-085-01	
	50% Capacity Drilled Hole	A 515 w/ ENC Coating	101-086-01	
	35% Capacity Drilled Hole	A 515 w/ ENC Coating	101-087-01	
4	Diaphragm			1
	75 Durometer	Nitrile / Nylon	101-056-01	
	60 Durometer	Nitrile / Nylon	101-056-02	
	80 Durometer Hi-ACN	Nitrile / Nylon	101-056-03	
	80 Durometer Lo-ACN	Nitrile / Nylon	101-056-04	
	Viton®	Viton® / Nylon	101-056-05	
5	Main Spring	301 Stainless Steel		1
	Standard		101-057-01	
	Low Differential		101-074-01	
6	Spring Case with Diaphragm Guide (A 216 Gr. WCB)	Carbon Steel	101-058-01	1
7	Cap Screw (9/16UNC x 2.25 Lg)	SAE Grade 8	030-007-01	4

Boxed items indicate recommended spare parts				
8	1" Port Rebuild Kit (includes items 2 & 4)	-	101-110-XX*	1
	(*XX indicate Diaphragm durometer, refer to item 4)			

*Special Welded Assembly

† (FG-*) Indicates stock number for the Flowgrid Valve Assembly associated with each body

®Viton is a registered trademark of E.I. du Pont de Nemours and Company



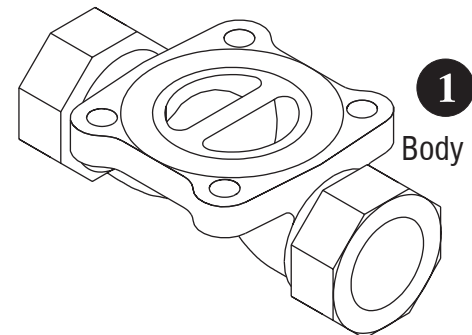
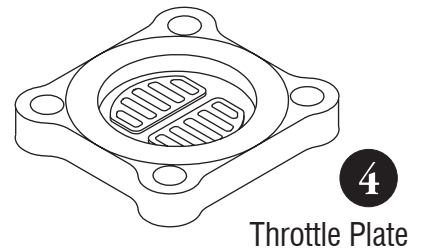
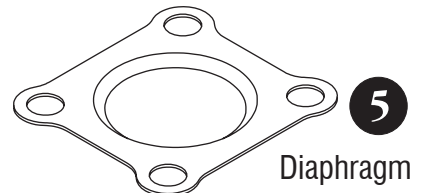
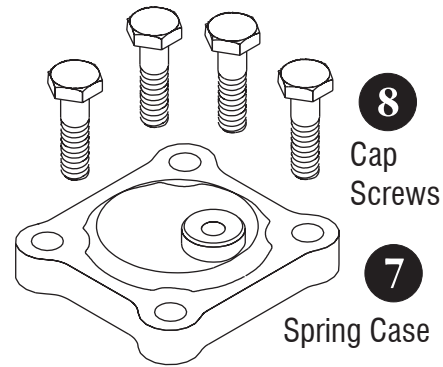
PARTS LIST - 1" FLOWGRID® 250 VALVES

Includes: 1", 1 1/4" & 1 1/2" NPT

Ductile Iron/Aluminum Construction Maximum Inlet Pressure 250 PSI

1"
FLOWGRID
250

Item	Description	Material	Part Number	Quantity
1	Body - Single Port 1" NPT End Connection (FG-24) [†] 1 1/4" NPT End Connection (FG-25) [†] 1 1/2" NPT End Connection (FG-26) [†]	A 395 Ductile Iron	120-002-01 120-014-01 120-015-01	1
2	Gasket**	Nitrile	120-008-01	1 or 2**
3	Restricting Plate** 75% Capacity 50% Capacity 25% Capacity	Steel (Zinc Plated)	120-009-01 120-012-01 120-013-01	
4	Throttle Plate - 100% Capacity	356 - T6 Hard Anodized Aluminum	120-004-01	1
5	Diaphragm 75 Durometer 60 Durometer 80 Durometer Hi-ACN 80 Durometer Lo-ACN Viton®	Nitrile / Nylon Nitrile / Nylon Nitrile / Nylon Nitrile / Nylon Viton® / Nylon	101-056-01 101-056-02 101-056-03 101-056-04 101-056-05	1
6	Main Spring Standard Low Differential	301 Stainless Steel	101-057-01 101-074-01	1
7	Spring Case	356 - T6 Alodined	120-006-01	1
8	Cap Screw (1/2UNC x 2.25 Lg)	SAE Grade 5	030-002-01	4



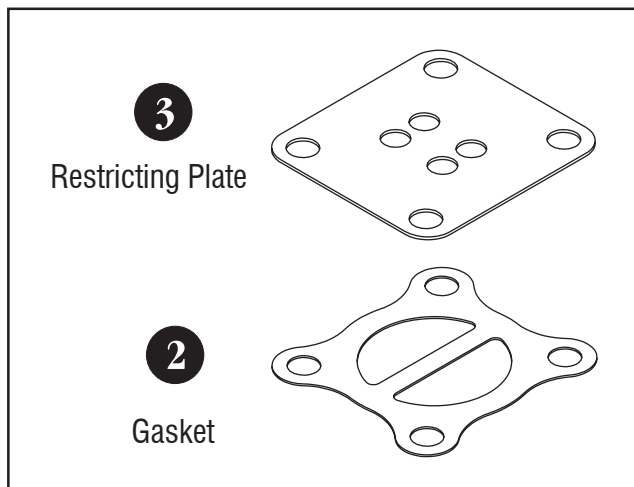
Boxed items indicate recommended spare parts				
9	1" Flowgrid 250 Port Rebulid Kit (includes items 2 & 5) (*XX indicate Diaphragm durometer, refer to item 5)	-	101-110-XX*	1

[†] (FG-*) Indicates stock number for the Flowgrid Valve Assembly associated with each body

**Reduced capacity: An extra gasket (item 2) and restricting plate (item 3) are required for reduced capacity trim.

©Viton is a registered trademark of E.I. du Pont de Nemours and Company

Optional Reduced Capacity Trim



PARTS LIST - 2" x 1" Dual Port Valves

2" x 1"
Dual
Port

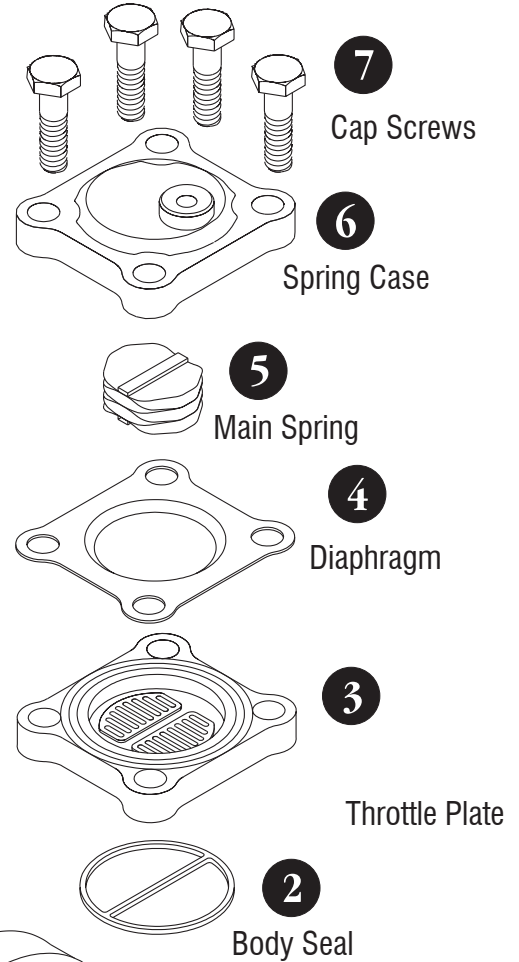
Includes: 2" x 1" RF Flanged CL 150 - 600

Item	Description	Material	Part Number	Quantity
1	Body - Dual Port 2" x 1" CL 150 RF Flanged (FG-69) [†] 2" x 1" CL 300 RF Flanged (FG-70) [†] 2" x 1" CL 600 RF Flanged (FG-71) [†]	Carbon Steel (A 216 Gr. WCB)	102-096-01 102-097-01 102-098-01	1
2	Body Seal Nitrile Viton	Nitrile Viton	101-059-01 101-059-02	2
3	Throttle Plate 100% Capacity Flowgrid 75% Capacity Flowgrid 50% Capacity Flowgrid 35% Capacity Flowgrid	17-4PH SST 17-4PH SST 17-4PH SST 17-4PH SST	101-055-01 101-083-01 101-063-01 101-061-01	2
3a	100% Capacity Drilled Hole 75% Capacity Drilled Hole 50% Capacity Drilled Hole 35% Capacity Drilled Hole	A 515 w/ ENC Coating A 515 w/ ENC Coating A 515 w/ ENC Coating A 515 w/ ENC Coating	101-084-01 101-085-01 101-086-01 101-087-01	
4	Diaphragm 75 Durometer 60 Durometer 80 Durometer Hi-ACN 80 Durometer Lo-ACN Viton®	Nitrile/Nylon Nitrile/Nylon Nitrile/Nylon Nitrile/Nylon Viton®/Nylon	101-056-01 101-056-02 101-056-03 101-056-04 101-056-05	2
5	Main Spring Standard Low Differential	301 Stainless Steel	101-057-01 101-074-01	2
6	Spring Case with Diaphragm Guide	Carbon Steel (A 216 Gr. WCB)	101-058-01	2
7	Cap Screw (9/16UNC x 2.25 Lg)	SAE Grade 8	030-007-01	8

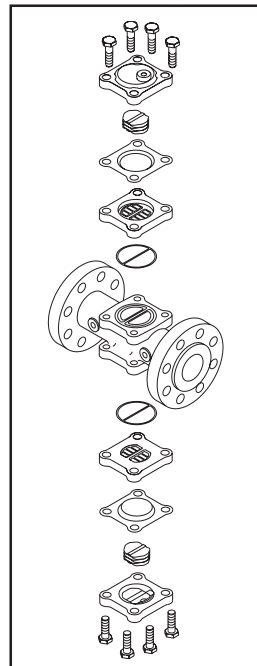
Boxed items indicate recommended spare parts

8	1" Port Rebuild Kit (includes items 2 & 4) (*XX indicate Diaphragm durometer, refer to item 4)	-	101-110-XX*	2
---	---	---	-------------	---

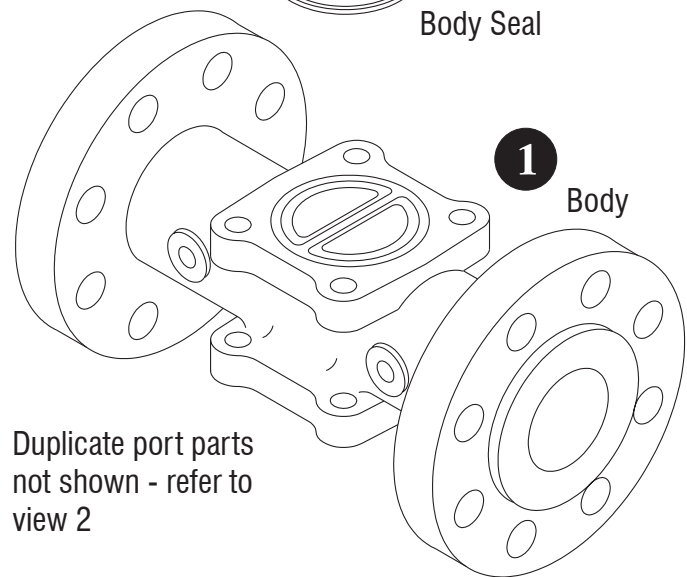
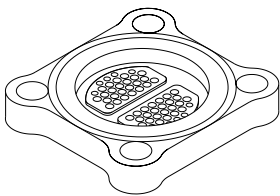
[†] (FG-*) Indicates stock number for the Flowgrid Valve Assembly associated with each body
©Viton is a registered trademark of E.I. du Pont de Nemours and Company



View 2



3a Drilled Hole Throttle Plate



Duplicate port parts not shown - refer to view 2

PARTS LIST - 2" FLOWGRID® 250 VALVES

Includes: 2" NPT, 2" RF Flanged CL 150 D.I., FF Flanged CL 125 D.I.
Ductile Iron/Aluminum Construction Maximum Inlet Pressure 250 PSI

2"
FLOWGRID®
250

Item	Description	Material	Part Number	Quantity
1	Body - Single Port	A 395 Ductile Iron		1
	2" NPT End Connection D.I. (FG-82)		122-002-01	
1a	2" CL 150 RF Flanged D.I. (FG-83)		122-009-01	
	2" CL 125 Flat Face Flanged D.I. (FG-84)		122-010-01	
2	Body Seal			1
	Nitrile	Nitrile	102-016-01	
	Viton®	Viton®	102-016-02	
3	Gasket**			1
	Nitrile	Nitrile	122-005-01	
	Viton®	Viton®	122-005-02	
4	Restricting Plate**	Steel (Zinc Plated)		1
	75% Capacity		122-006-01	
	50% Capacity		122-007-01	
	35% Capacity		122-008-01	
5	Throttle Plate	356 - T6 Hard Anodized Aluminum	122-003-01	
6	Diaphragm			1
	60 Durometer (Std)	Nitrile / Nylon	102-053-02	
	75 Durometer	Nitrile / Nylon	102-053-01	
	Viton®	Viton® / Nylon	102-053-05	
7	Main Spring	301 Stainless Steel		1
	Standard		102-014-01	
	Low Differential		102-034-01	
8	Spring Case	356-T6 Aluminum - Alodine	122-004-01	
9	Cap Screw (5/8 - 11 UNC x 2.25 Lg)	SAE Grade 8	030-019-01	4
10	Capacity Tag	Brass	100-014-01	1

Boxed items indicate recommended spare parts

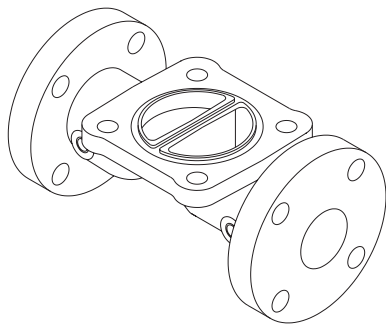
11	2" Flowgrid 250 Port Rebuild Kit (includes items 2 & 6) (*XX indicate Diaphragm durometer, refer to item 6)	-	122-015-XX*	1
----	---	---	-------------	---

† (FG-*) Indicates stock number for the Flowgrid Valve Assembly associated with each body

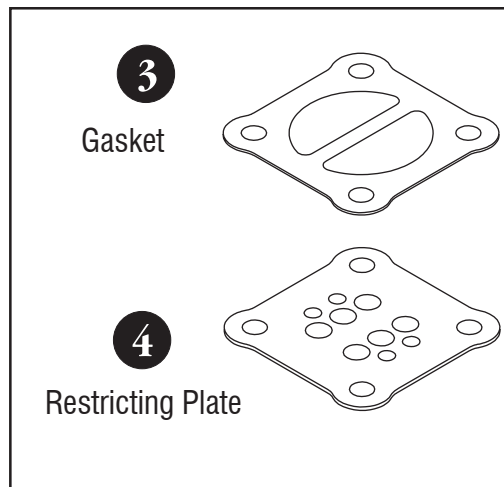
**Reduced capacity: An extra gasket (item 3) and restricting plate (item 4) are required for reduced capacity trim.

®Viton is a registered trademark of E.I. du Pont de Nemours and Company

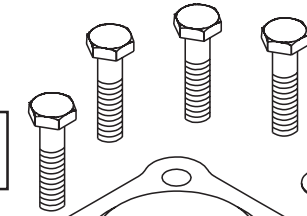
1a Flanged Body



Optional Reduced Capacity Trim



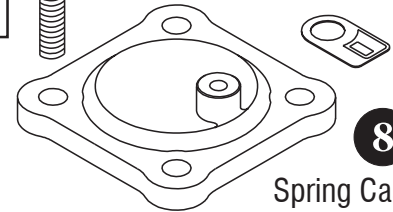
9 Cap Screws



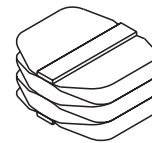
Capacity Tag

10

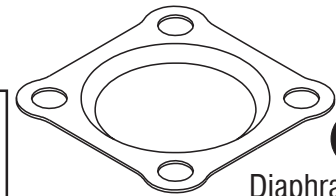
8 Spring Case



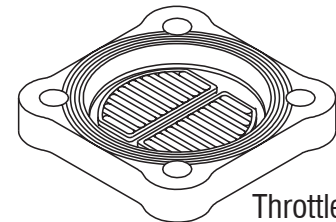
7 Main Spring



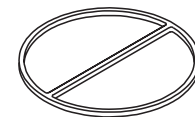
6 Diaphragm



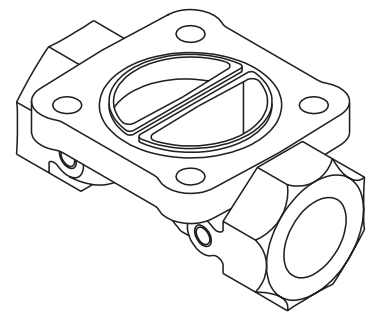
5 Throttle Plate



2 Body Seal



1 Body



PARTS LIST - 2" Standard Single Port Valves

Includes: 2" NPT / SWE, 2" RF Flanged CL 150 - 600,
2" Flangeless CL 150 - 600 & 2" Butt weld CL 600

2"

STD Single Port

Item	Description	Material	Part Number	Quantity
1	Body - Standard Single Port	Carbon Steel		1
	2" NPT End Connection (FG-1) [†]	(A216 Gr. WCB)	102-002-01	
	2" SWE Connection (FG-2) [†]		102-020-01	
	2" CL 150 RF Flanged (FG-3) [†]		102-008-01	
	2" CL 300 RF Flanged (FG-4) [†]		102-006-01	
	2" CL 600 RF Flanged (FG-5) [†]		102-004-01	
	2" Butt weld End Connection (FG-76) [†]		102-054-01	
1a	2" CL 150/300/600 Flangeless (FG-15) ^{†*}		102-031-01	
2	Roll Pin (3/16 x 1/2)	Steel	035-001-01	1
3	Body Seal (O-Ring)			1
	Nitrile	Nitrile	102-016-01	
	Viton®	Viton®	102-016-02	
4	Throttle Plate			1
	100% Capacity Flowgrid	17-4PH SST	102-028-01	
	75% Capacity Flowgrid	17-4PH SST	102-036-01	
	50% Capacity Flowgrid	17-4PH SST	102-033-01	
	35% Capacity Flowgrid	17-4PH SST	102-038-01	
4a	100% Capacity Drilled Hole	A 515 w/ ENC Coating	102-060-01	
	75% Capacity Drilled Hole	A 515 w/ ENC Coating	102-061-01	
	50% Capacity Drilled Hole	A 515 w/ ENC Coating	102-062-01	
	35% Capacity Drilled Hole	A 515 w/ ENC Coating	102-063-01	
5	Spacer O-Ring			1
	Nitrile	Nitrile	021-244-01	
	Viton®	Viton®	021-244-02	
6	Spacer	Carbon Steel	102-011-01	1
7	Diaphragm			1
	75 Durometer	Nitrile / Nylon	102-013-01	
	60 Durometer	Nitrile / Nylon	102-013-02	
	80 Durometer Hi-ACN	Nitrile / Nylon	102-013-03	
	80 Durometer Lo-ACN	Nitrile / Nylon	102-013-04	
	Viton®	Viton® / Nylon	102-013-05	
8	Main Spring	301 Stainless Steel		1
	Standard		102-014-01	
	Low Differential		102-034-01	
9	Spring Case with Diaphragm Guide	Carbon Steel (A216 Gr. WCB)	102-010-01	1
10	Cap Screw (3/4UNC x 3.00 Lg)	SAE Grade 8	030-003-01	4
11	Line Bolt Kit: Flangeless Valves*	N/A		1
	2" CL 150 Flangeless (FG-15)		15A	
	2" CL 300 Flangeless (FG-15)		15B	
	2" CL 600 Flangeless (FG-15)		15C	

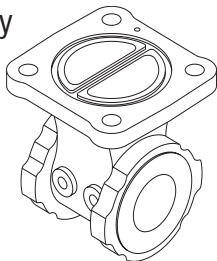
Boxed items indicate recommended spare parts				
12	2" Flowgrid Standard Port Rebuild Kit (includes items 3, 5 & 7) (*XX indicate Diaphragm durometer, refer to item 7)	-	102-160-XX*	1

* Line-Bolt Kits for all flangeless valves are listed on page 44.

† (FG-*) Indicates stock number for the Flowgrid Valve Assembly associated with each body

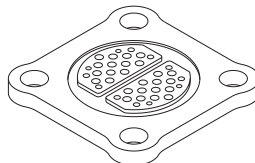
®Viton is a registered trademark of E.I. du Pont de Nemours and Company

1a Flangeless Body



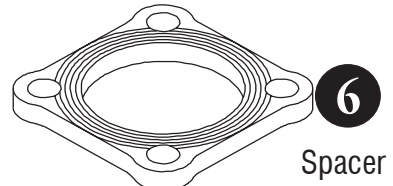
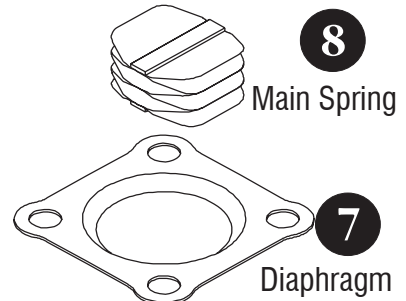
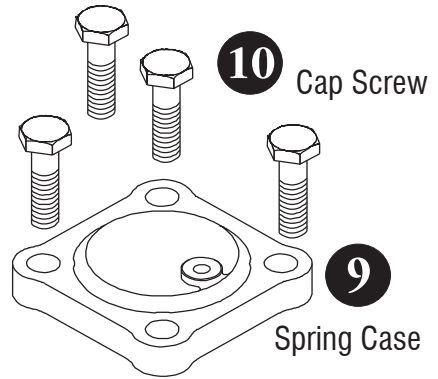
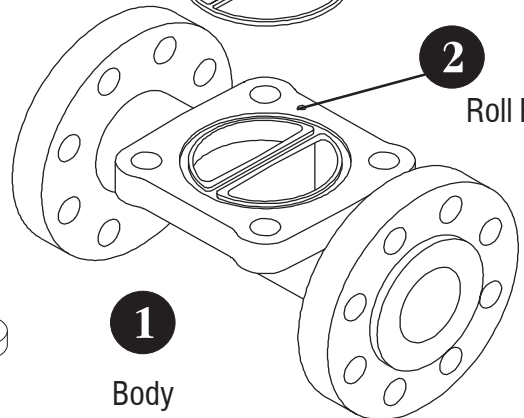
4a

Drilled Hole Throttle Plate



1

Body



2"

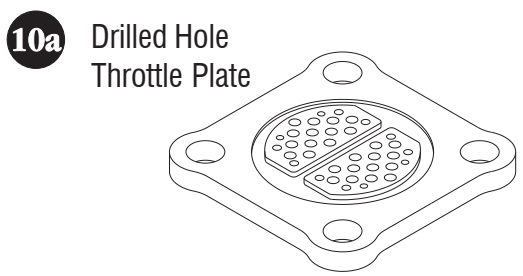
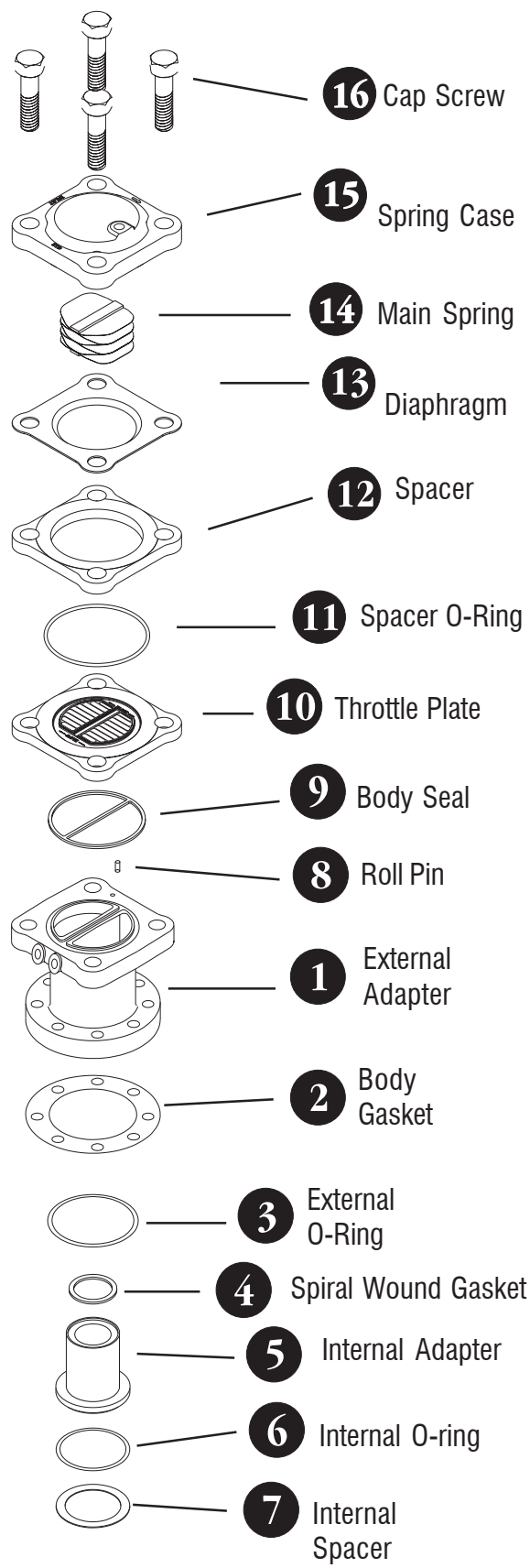
STD E/F ADAPTER

PARTS LIST-2" Standard Single Port E/F Adapter Kit

Includes: 2" CL 150 - 600

Item	Description	Material	Part Number	Quantity
1	External Adapter CL 150/300/600 (FG-86) [†]	Carbon Steel (A216 Gr. WCB)	102-140-01	1
2	Body Gasket		102-144-01	1
3	External O ring	Nitrile	021-045-01	1
4	Spiral-wound Gasket	SST	102-142-01	1
5	Internal Adapter	Carbon Steel	102-141-01	1
6	Internal O-ring	Nitrile	020-001-01	1
7	Internal Spacer	SST	102-143-01	1
8	Roll Pin (3/16 x 1/2)	Steel	035-001-01	1
9	Body Seal			1
	Nitrile	Nitrile	102-016-01	
	Viton®	Viton®	102-016-02	
10	Throttle Plate			1
	100% Capacity Flowgrid	17-4PH SST	102-028-01	
	75% Capacity Flowgrid	17-4PH SST	102-036-01	
	50% Capacity Flowgrid	17-4PH SST	102-033-01	
	35% Capacity Flowgrid	17-4PH SST	102-038-01	
10a	100% Capacity Drilled Hole	A 515 w/ ENC Coating	102-060-01	
	75% Capacity Drilled Hole	A 515 w/ ENC Coating	102-061-01	
	50% Capacity Drilled Hole	A 515 w/ ENC Coating	102-062-01	
	35% Capacity Drilled Hole	A 515 w/ ENC Coating	102-063-01	
11	Spacer O-Ring			1
	Nitrile	Nitrile	021-244-01	
	Viton	Viton®	021-244-02	
12	Spacer	Carbon Steel	102-011-01	1
13	Diaphragm			1
	75 Durometer	Nitrile / Nylon	102-013-01	
	60 Durometer	Nitrile / Nylon	102-013-02	
	80 Durometer Hi-ACN	Nitrile / Nylon	102-013-03	
	80 Durometer Lo-ACN	Nitrile / Nylon	102-013-04	
	Viton®	Viton® / Nylon	102-013-05	
14	Main Spring	301 Stainless Steel		1
	Standard		102-014-01	
	Low Differential		102-034-01	
15	Spring Case with Diaphragm Guide	Carbon Steel (A216 Gr. WCB)	102-010-01	1
16	Cap Screw (3/4UNC x 3.00 Lg)	SAE Grade 8	030-003-01	4
Boxed items indicate recommended spare parts				
11	2" Flowgrid Standard Port Rebuild Kit (includes items 9,11 & 13) (*XX indicate Diaphragm durometer, refer to item 9)	-	102-160-XX*	1

[†] (FG-*) Indicates stock number for the Flowgrid Valve Assembly associated with the adapter when assembled with Large Single Port components as listed in items 9 through 16.
 ©Viton is a registered trademark of E.I. du Pont de Nemours and Company



PARTS LIST - 2" Standard Dual Port Valves

Includes: 2" RF Flanged CL 150 - 600

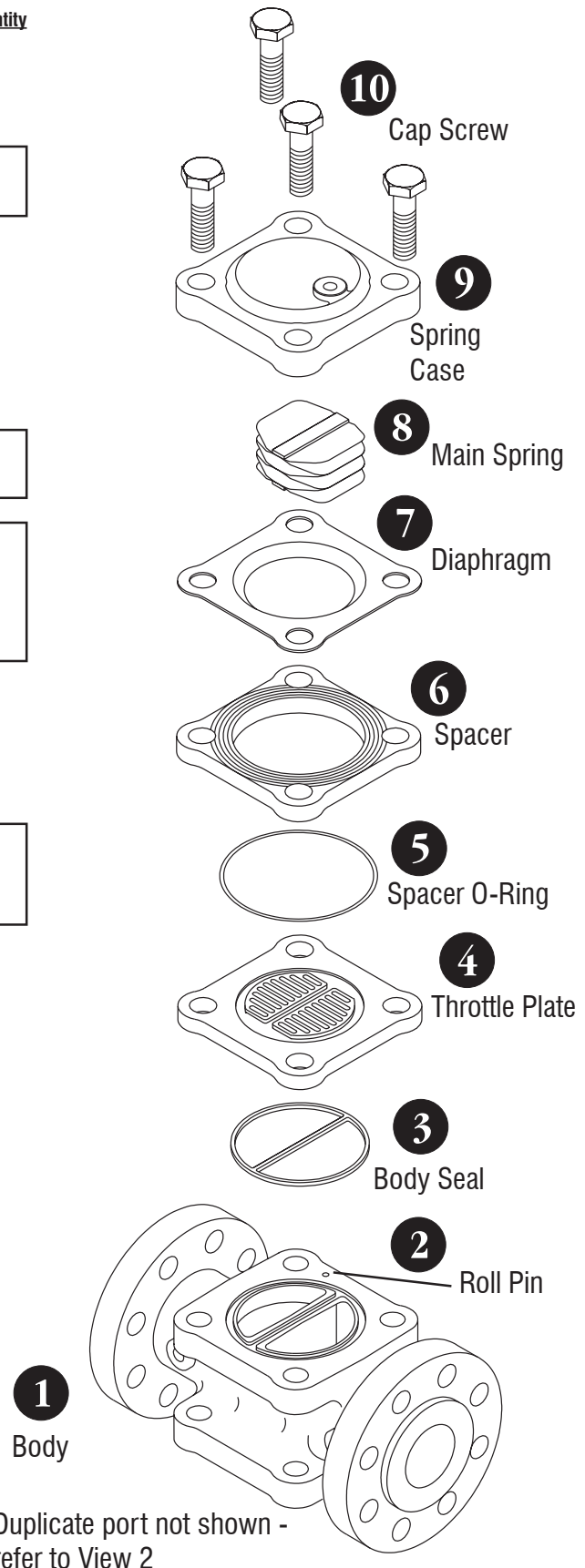
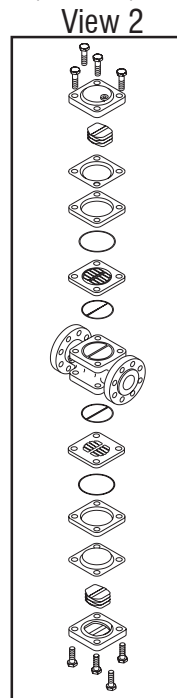
2"

STD Dual Port

Item	Description	Material	Part Number	Quantity
1	Body - Dual Port	Carbon Steel		1
	2" CL 150 RF Flanged (FG-8) [†]	(A216 Gr. WCB)	102-009-01	
	2" CL 300 RF Flanged (FG-9) [†]		102-007-01	
	2" CL 600 RF Flanged (FG-10) [†]		102-005-01	
2	Roll Pin (3/16 x 1/2)	Steel	035-001-01	2
3	Body Seal			2
	Nitrile	Nitrile	102-016-01	
	Viton®	Viton®	102-016-02	
4	Throttle Plate			
	100% Capacity Flowgrid	17-4PH SST	102-028-01	
	75% Capacity Flowgrid	17-4PH SST	102-036-01	
	50% Capacity Flowgrid	17-4PH SST	102-033-01	
	35% Capacity Flowgrid	17-4PH SST	102-038-01	
4a	100% Capacity Drilled Hole	A 515 w/ ENC Coating	102-060-01	
	75% Capacity Drilled Hole	A 515 w/ ENC Coating	102-061-01	
	50% Capacity Drilled Hole	A 515 w/ ENC Coating	102-062-01	
	35% Capacity Drilled Hole	A 515 w/ ENC Coating	102-063-01	
5	Spacer O-Ring			2
	Nitrile	Nitrile	021-244-01	
	Viton®	Viton®	021-244-02	
6	Spacer	Carbon Steel	102-011-01	2
7	Diaphragm			2
	75 Durometer	Nitrile / Nylon	102-013-01	
	60 Durometer	Nitrile / Nylon	102-013-02	
	80 Durometer Hi-ACN	Nitrile / Nylon	102-013-03	
	80 Durometer Lo-ACN	Nitrile / Nylon	102-013-04	
	Viton®	Viton® / Nylon	102-013-05	
8	Main Spring	301 Stainless Steel		2
	Standard		102-014-01	
	Low Differential		102-034-01	
9	Spring Case with Diaphragm Guide	Carbon Steel (A216 Gr. WCB)	102-010-01	2
10	Cap Screw (3/4-10 UNC x 3.00 Lg)	SAE Grade 8	030-003-01	8
Boxed items indicate recommended spare parts				
11	2" STD Port Rebuild Kit	-	102-160-XX	2
	(includes items 3, 5 & 7)			
	(*XX indicate Diaphragm durometer, refer to item 7)			

[†] (FG-*) Indicates stock number for the Flowgrid Valve Assembly associated with each body

®Viton is a registered trademark of E.I. du Pont de Nemours and Company



PARTS LIST - 2" Large Single Port Valves

2"

Includes: 2" RF Flanged CL 150 - 600, 2" Flangeless CL 150/300/600,
2" Type-A Flangeless CL 150-600 & 2" Buttweld CL 600

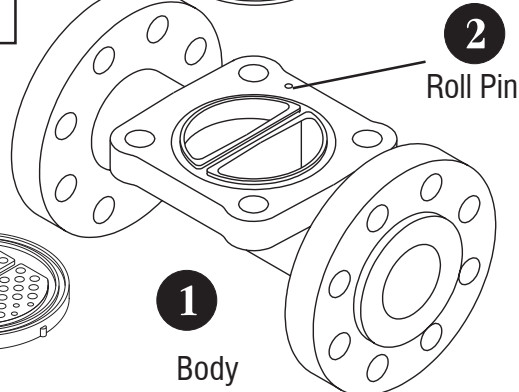
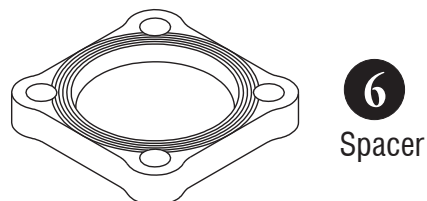
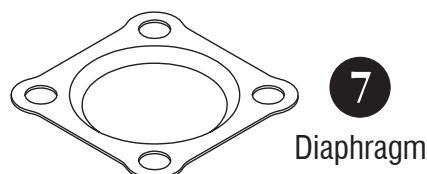
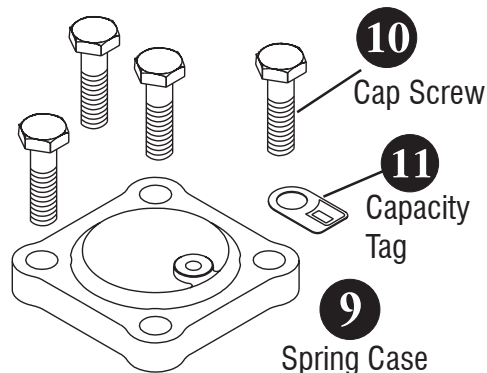
Large Single Port

Item	Description	Material	Part Number	Quantity
1	Body - Single Port	Carbon Steel		1
	2" NPT End Connection (FG-27) [†]	(A216 Gr. WCB)	102-002-01	
	2" SWE Connection (FG-28) [†]		102-020-01	
	2" CL 150 RF Flanged (FG-29) [†]		102-008-01	
	2" CL 300 RF Flanged (FG-30) [†]		102-006-01	
	2" CL 600 RF Flanged (FG-31) [†]		102-004-01	
	2" Buttweld End Connection (FG-77) [†]		102-054-01	
1a	2" CL 150/300/600 Flangeless (FG-35) ^{†*}		102-031-01	
1b	2" CL 150, 300 Type-A Flangeless (FG-100, 101) ^{†*}		102-130-01	
	2" CL 600 Type-A Flangeless (FG-102) ^{†*}		102-131-01	
2	Roll Pin (3/16 x 1/2)	Steel	035-001-01	1
3	Body Seal			1
	Nitrile	Nitrile	102-016-01	
	Viton®	Viton®	102-016-02	
4	Throttle Plate			1
	100% Capacity Flowgrid	17-4PH SST	102-041-01	
	75% Capacity Flowgrid	17-4PH SST	102-055-01	
	50% Capacity Flowgrid	17-4PH SST	102-056-01	
	35% Capacity Flowgrid	17-4PH SST	102-057-01	
4a	100% Capacity Drilled Hole	A 515 w/ ENC Coating	102-065-01	
	75% Capacity Drilled Hole	A 515 w/ ENC Coating	102-066-01	
	50% Capacity Drilled Hole	A 515 w/ ENC Coating	102-067-01	
	35% Capacity Drilled Hole	A 515 w/ ENC Coating	102-068-01	
5	Spacer O-Ring			1
	Nitrile	Nitrile	021-244-01	
	Viton®	Viton®	021-244-02	
6	Spacer	Carbon Steel	102-042-01	1
7	Diaphragm			1
	75 Durometer	Nitrile / Nylon	102-053-01	
	60 Durometer	Nitrile / Nylon	102-053-02	
	80 Durometer Hi-ACN	Nitrile / Nylon	102-053-03	
	80 Durometer Lo-ACN	Nitrile / Nylon	102-053-04	
	Viton®	Viton® / Nylon	102-053-05	
8	Main Spring	301 Stainless Steel		1
	Standard		102-014-01	
	Low Differential		102-034-01	
9	Spring Case with Diaphragm Guide	Carbon Steel	102-043-01	1
	(A216 Gr. WCB)			
10	Cap Screw (3/4-10 UNC x 3.00 Lg)	SAE Grade 8	030-003-01	4
11	Capacity Tag	Brass	100-014-01	1
12	Line Bolt Kit: Flangeless Valves*	N/A		1
	2" CL 150 Flangeless (FG-35)		15A	
	2" CL 300 Flangeless (FG-35)		15B	
	2" CL 600 Flangeless (FG-35)		15 C	
	2" CL 150Type-A Flangeless (FG-100)		102-150-01	
	2" CL 300Type-A Flangeless (FG-101)		102-151-01	
	2" CL 600Type-A Flangeless (FG-102)		102-152-01	
Boxed items indicate recommended spare parts				
13	2" Large Port Rebuild Kit	-	102-161-XX	1
	(includes items 3,5 & 7)			
	(XX indicate Diaphragm durometer, refer to item 7)			

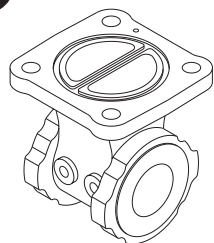
[†] (FG-*) Indicates stock number for the Flowgrid Valve Assembly associated with each body.

* Line-Bolt Kits for all flangeless valves are listed on page 44.

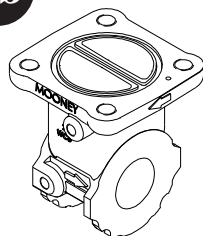
©Viton is a registered trademark of E.I. du Pont de Nemours and Company



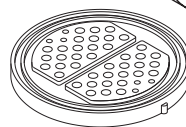
1a Flangeless Body



1b Type-A Flangeless Body



4a Drilled Hole Throttle Plate



1 Body

PARTS LIST - 2" Large Single Port E/F Adapter Kit

Includes: 2" CL 150 - 600

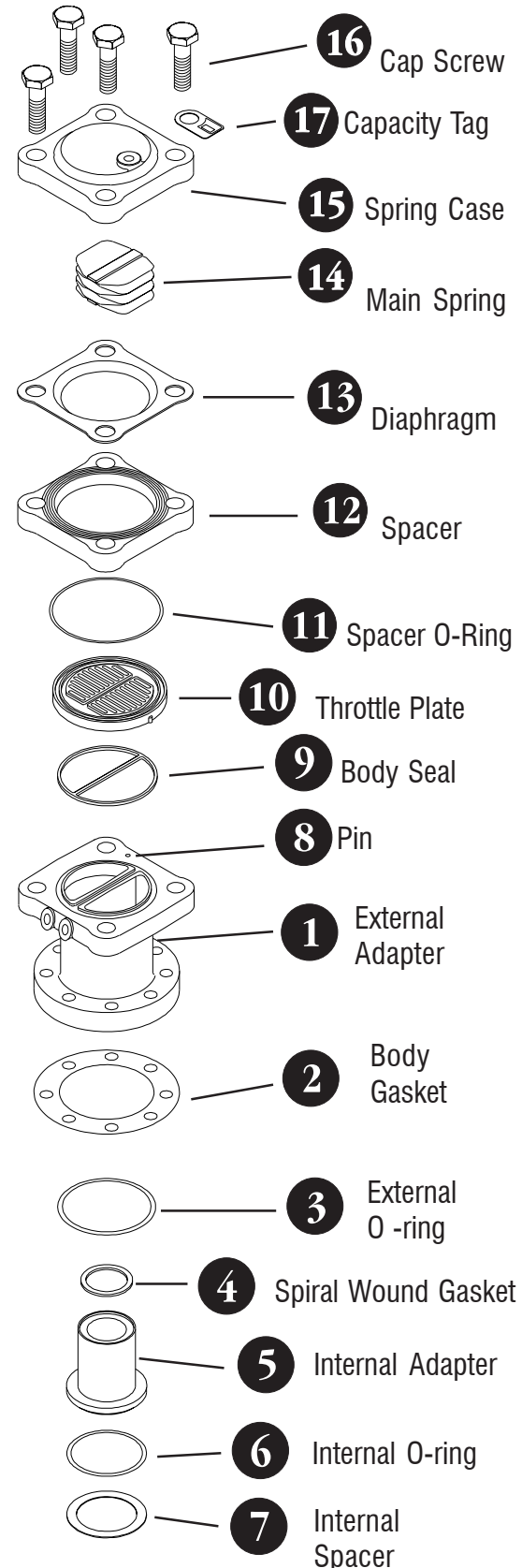
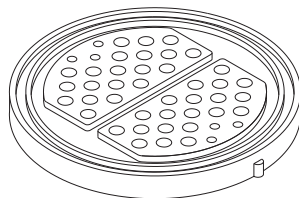
2"
LSP E/F
ADAPTER

Item	Description	Material	Part Number	Quantity
1	External Adapter CL 150/300/600 (FG-87) [†]	Carbon Steel (A216 Gr. WCB)	102-140-01	1
2	Body Gasket		102-144-01	1
3	External O ring	Nitrile	021-045-01	1
4	Spiral-wound Gasket	SST	102-142-01	1
5	Internal Adapter	Carbon Steel	102-141-01	1
6	Internal O-ring	Nitrile	020-001-01	1
7	Internal Spacer	SST	102-143-01	1
8	Roll Pin (3/16 x 1/2)	Steel	035-001-01	1
9 Body Seal				
	Nitrile	Nitrile	102-016-01	
	Viton®	Viton®	102-016-02	
10	Throttle Plate			1
	100% Capacity Flowgrid	17-4PH SST	102-041-01	
	75% Capacity Flowgrid	17-4PH SST	102-055-01	
	50% Capacity Flowgrid	17-4PH SST	102-056-01	
	35% Capacity Flowgrid	17-4PH SST	102-057-01	
10a	100% Capacity Drilled Hole	A 515 w/ ENC Coating	102-065-01	
	75% Capacity Drilled Hole	A 515 w/ ENC Coating	102-066-01	
	50% Capacity Drilled Hole	A 515 w/ ENC Coating	102-067-01	
	35% Capacity Drilled Hole	A 515 w/ ENC Coating	102-068-01	
11 Spacer O-Ring				
	Nitrile	Nitrile	021-244-01	
	Viton®	Viton®	021-244-02	
12	Spacer	Carbon Steel	102-042-01	1
13 Diaphragm				
	75 Durometer	Nitrile / Nylon	102-053-01	
	60 Durometer	Nitrile / Nylon	102-053-02	
	80 Durometer Hi-ACN	Nitrile / Nylon	102-053-03	
	80 Durometer Lo-ACN	Nitrile / Nylon	102-053-04	
	Viton®	Viton® / Nylon	102-053-05	
14	Main Spring	301 Stainless Steel		1
	Standard		102-014-01	
	Low Differential		102-034-01	
15	Spring Case with Diaphragm Guide	Carbon Steel (A216 Gr. WCB)	102-043-01	1
16	Cap Screw (3/4-10 UNC x 3.00 Lg)	SAE Grade 8	030-003-01	4
17	Capacity Tag	Brass	100-014-01	1
Boxed items indicate recommended spare parts				
18	2" Large Port Rebuild Kit (includes items 9, 11 & 13) (XX indicate Diaphragm durometer, refer to item 13)	-	102-161-XX	1

[†] (FG-*) Indicates stock number for the Flowgrid Valve Assembly associated with the adapter when assembled with Large Single Port components as listed in items 9 through 17.

®Viton is a registered trademark of E.I. du Pont de Nemours and Company

10a Drilled Hole Throttle Plate



PARTS LIST - 2" Large Dual Port Valves

Includes: 2" RF Flanged CL 150 - 600

2"

Large Dual Port

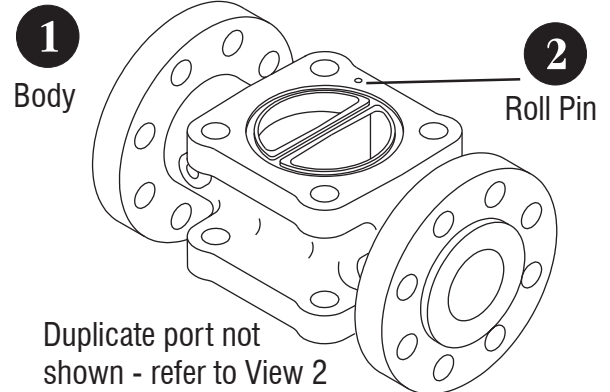
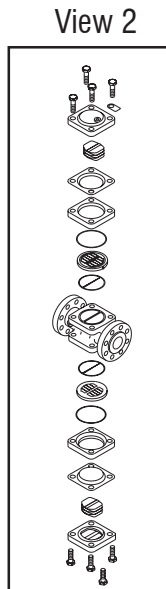
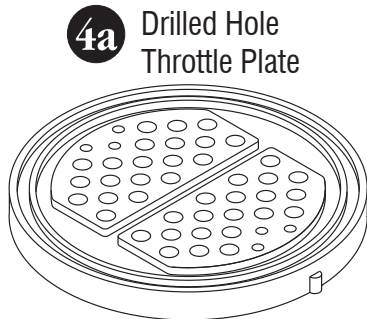
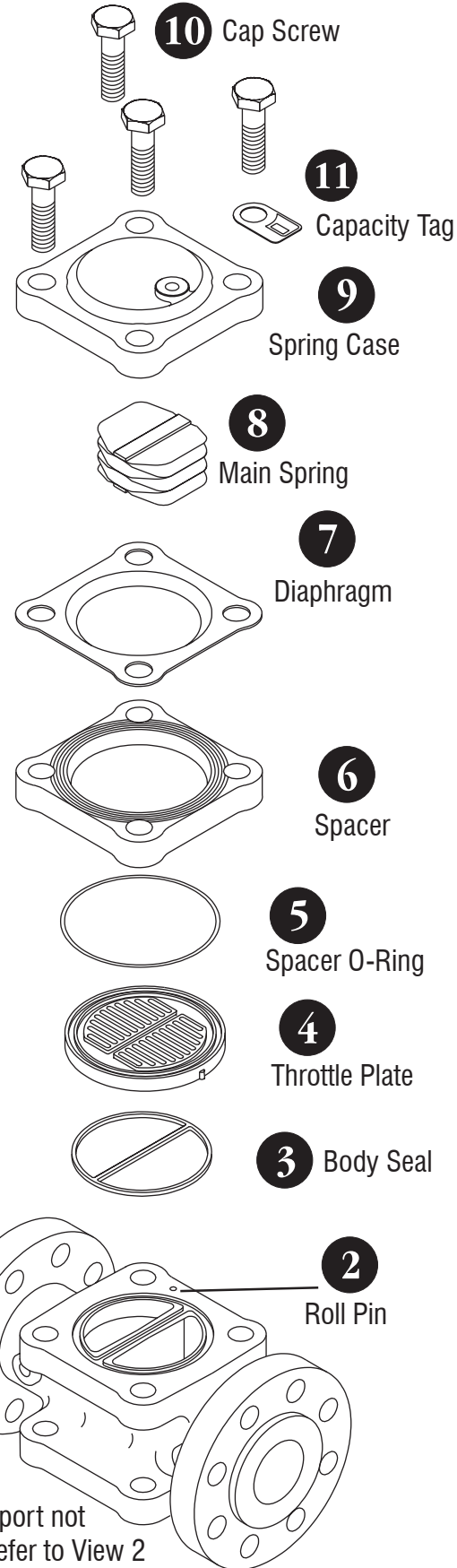
Item	Description	Material	Part Number	Quantity
1	Body - Dual Port	Carbon Steel		1
	2" CL 150 RF Flanged (FG-32) [†]	(A216 Gr. WCB)	102-009-01	
	2" CL 300 RF Flanged (FG-33) [†]		102-007-01	
	2" CL 600 RF Flanged (FG-34) [†]		102-005-01	
2	Roll Pin (3/16 x 1/2)	Steel	035-001-01	2
3	Body Seal			2
	Nitrile	Nitrile	102-016-01	
	Viton®	Viton®	102-016-02	
4	Throttle Plate			2
	100% Capacity Flowgrid	17-4PH SST	102-041-01	
	75% Capacity Flowgrid	17-4PH SST	102-055-01	
	50% Capacity Flowgrid	17-4PH SST	102-056-01	
	35% Capacity Flowgrid	17-4PH SST	102-057-01	
4a	100% Capacity Drilled Hole	A 515 w/ ENC Coating	102-065-01	
	75% Capacity Drilled Hole	A 515 w/ ENC Coating	102-066-01	
	50% Capacity Drilled Hole	A 515 w/ ENC Coating	102-067-01	
	35% Capacity Drilled Hole	A 515 w/ ENC Coating	102-068-01	
5	Spacer O-Ring			2
	Nitrile	Nitrile	021-244-01	
	Viton®	Viton®	021-244-02	
6	Spacer	Carbon Steel	102-042-01	2
7	Diaphragm			2
	75 Durometer	Nitrile / Nylon	102-053-01	
	60 Durometer	Nitrile / Nylon	102-053-02	
	80 Durometer Hi-ACN	Nitrile / Nylon	102-053-03	
	80 Durometer Lo-ACN	Nitrile / Nylon	102-053-04	
	Viton®	Viton® / Nylon	102-053-05	
8	Main Spring	301 Stainless Steel		2
	Standard		102-014-01	
	Low Differential		102-034-01	
9	Spring Case with Diaphragm Guide	Carbon Steel	102-043-01	2
		(A216 Gr. WCB)		
10	Cap Screw (3/4-10 UNC x 3.00 Lg)	SAE Grade 8	030-003-01	8
11	Capacity Tag	Brass	100-014-01	1

Boxed items indicate recommended spare parts

12	2" Large Port Rebuild Kit (includes items 3, 5 & 7) (XX indicate Diaphragm durometer, refer to item 7)	-	102-161-XX	2
----	--	---	------------	---

[†] (FG-*) Indicates stock number for the Flowgrid Valve Assembly associated with each body

®Viton is a registered trademark of E.I. du Pont de Nemours and Company



PARTS LIST - 3" Single Port Valves

Includes: 3" RF Flanged CL 150 - 600, Butt weld CL 150 / 300 / 600,
4" x 3" Flangeless CL 150 - 300 & 3" Type-A Flangeless CL 150-300

3"
Single
Port

Item	Description	Material	Part Number	Quantity
1	Body - Single Port	Carbon Steel		1
	3" CL 150 RF Flanged (FG-16) [†]	(A216 Gr. WCB)	103-108-01	
	3" CL 300 RF Flanged (FG-17) [†]		103-109-01	
	3" CL 600 RF Flanged (FG-18) [†]		103-101-01	
1a	3" CL 150/300 Butt weld (FG-61) [†]		103-127-01	
	3" CL 600 Butt weld (FG-62) [†]		103-133-01	
1b	4" x 3" CL 150 RF Flangeless (FG-19) ^{†*}		104-161-01	
	4" x 3" CL 300 RF Flangeless (FG-20) ^{†*}		104-162-01	
1c	3" Type-A CL 150, 300 Flangeless (FG-103, 104) ^{†*}		103-160-01	
2	Stud (5/8UNC)	ANSI B-7		
	150 / 300 Class 5/8-11 UNC x 3.75		031-014-01	6
	600 Class 5/8-11 UNC x 3.75		031-014-01	10
3	Body Seal	Nitrile	103-112-01	1
4	Throttle Plate			1
	100% Capacity Flowgrid	17-4PH SST	103-102-01	
	75% Capacity Flowgrid	17-4PH SST	103-119-01	
	50% Capacity Flowgrid	17-4PH SST	103-110-01	
	35% Capacity Flowgrid	17-4PH SST	103-121-01	
4a	100% Capacity Drilled Hole	A 515 w/ ENC Coating	103-129-01	
	75% Capacity Drilled Hole	A 515 w/ ENC Coating	103-130-01	
	50% Capacity Drilled Hole	A 515 w/ ENC Coating	103-131-01	
	35% Capacity Drilled Hole	A 515 w/ ENC Coating	103-132-01	
5	Spacer O-Ring	Nitrile	021-364-01	1
6	Roll Pin (3/16 x 1/2)	Steel	035-001-01	2
7	Spacer	Carbon Steel		1
	150 / 300 Class		103-106-01	
	600 Class		103-107-01	
8	Diaphragm			1
	75 Durometer	Nitrile / Nylon	103-105-01	
	60 Durometer	Nitrile / Nylon	103-105-02	
	80 Durometer Hi-ACN	Nitrile / Nylon	103-105-03	
	80 Durometer Lo-ACN	Nitrile / Nylon	103-105-04	
9	Diaphragm O-Ring	Nitrile	021-262-01	1
10	Main Spring	301 Stainless Steel		1
	Standard		103-111-01	
	Low Differential		103-117-01	
11	Spring Case with Diaphragm Guide	Carbon Steel		1
	150 / 300 Class	(A216 Gr. WCB)	103-103-01	
	600 Class		103-104-01	
12	Nut (5/8UNC)	ANSI 2H		
	150 / 300 Class		032-003-01	6
	600 Class		032-003-01	10
13	Capacity Tag	Brass	100-013-01	1
14	Line Bolt Kit: Flangeless Valves**	N/A		1
	4" x 3" CL 150 RF Flangeless (FG-19)		FG-19A	
	4" x 3" CL 300 RF Flangeless (FG-20)		FG-20A	
	3" Type-A CL 150 (FG-103)		102-165-01	
	3" Type-A CL 300 (FG-104)		102-166-01	

Boxed items indicate recommended spare parts

15	3" Port Rebuild Kit (includes items 3, 5 & 7) (XX indicate Diaphragm durometer, refer to item 7)	-	103-175-XX	1
----	--	---	------------	---

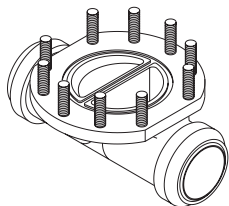
**Line-Bolt Kits for flangeless valves are listed on page 44.

[†] (FG-*) Indicates stock number for the Flowgrid Valve Assembly associated with each body

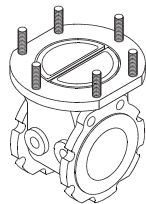
*Roll Pins (not shown in this view) mounted on the spacer ensure the proper alignment of the throttle plate

©Viton is a registered trademark of E.I. du Pont de Nemours and Company

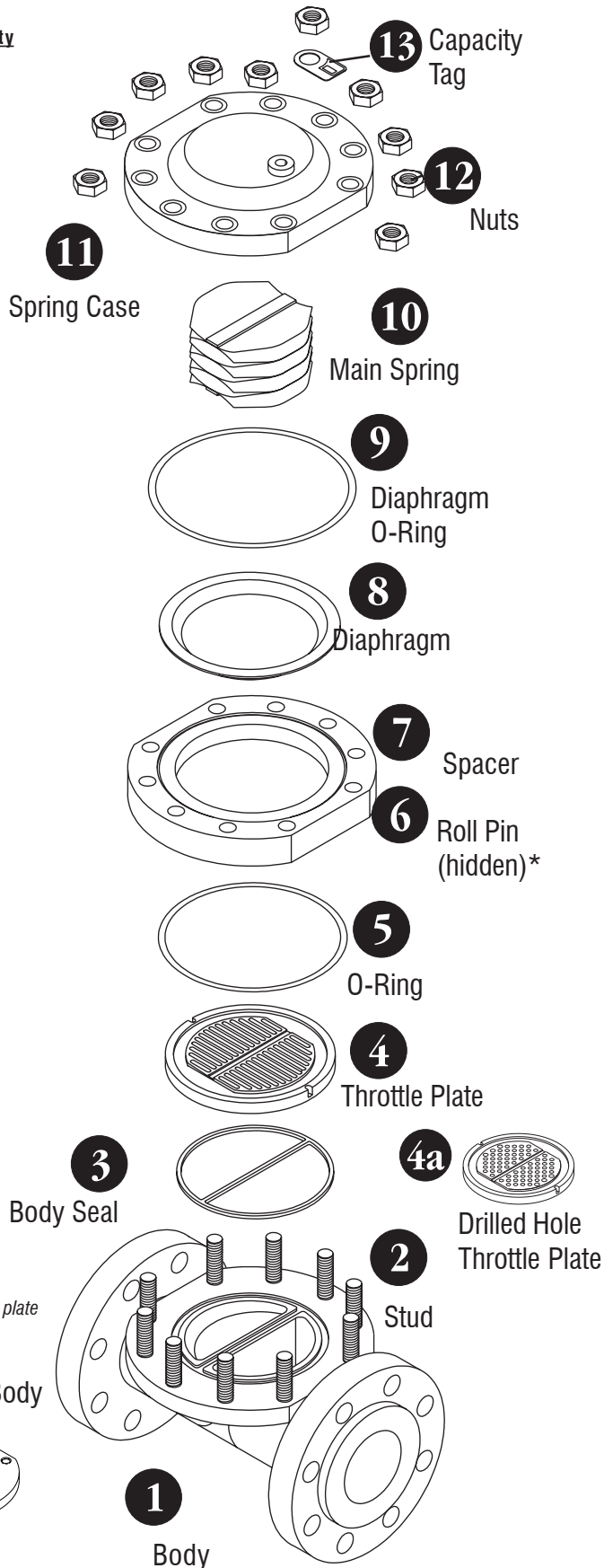
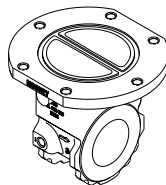
1a Butt weld Body



1b Flangeless Body



1c Type-A Flangeless Body



PARTS LIST - 4" x 3" Dual Port Valve

4" x 3"

Dual Port

Includes: 4" x 3" Dual Port RF Flanged CL 150 - 600

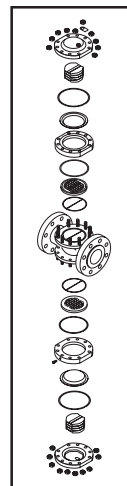
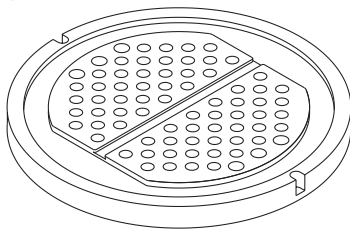
Item	Description	Material	Part Number	Quantity
1	Body - Dual Port 4" CL 150 RF Flanged (FG-21) [†] 4" CL 300 RF Flanged (FG-22) [†] 4" CL 600 RF Flanged (FG-23) [†]	Carbon Steel (A 216 Gr. WCB)	104-151-01 104-152-01 104-153-01	1
2	Stud (5/8UNC) 150 / 300 Class 5/8-11 UNC x 3.75 600 Class 5/8-11 UNC x 3.75	ANSI B-7	031-014-01 031-014-01	12 20
3	Body Seal	Nitrile	103-112-01	2
4	Throttle Plate 100% Capacity Flowgrid 75% Capacity Flowgrid 50% Capacity Flowgrid 35% Capacity Flowgrid	17-4PH SST 17-4PH SST 17-4PH SST 17-4PH SST	103-102-01 103-119-01 103-110-01 103-121-01	2
4a	100% Capacity Drilled Hole 75% Capacity Drilled Hole 50% Capacity Drilled Hole 35% Capacity Drilled Hole	A 515 w/ ENC Coating A 515 w/ ENC Coating A 515 w/ ENC Coating A 515 w/ ENC Coating	103-129-01 103-130-01 103-131-01 103-132-01	
5	Spacer / Body O-Ring	Nitrile	021-364-01	2
6	Roll Pin (3/16 x 1/2)	Steel	035-001-01	4
7	Spacer 150 / 300 Class 600 Class	Carbon Steel	103-106-01 103-107-01	2
8	Diaphragm 75 Durometer 60 Durometer 80 Durometer Hi-ACN 80 Durometer Lo-ACN	Nitrile / Nylon Nitrile / Nylon Nitrile / Nylon Nitrile / Nylon	103-105-01 103-105-02 103-105-03 103-105-04	2
9	Diaphragm O-Ring	Nitrile	021-262-01	2
10	Main Spring Standard Low Differential	301 Stainless Steel	103-111-01 103-117-01	2
11	Spring Case with Diaphragm Guide 150 / 300 Class 600 Class	Carbon Steel (A 216 Gr. WCB)	103-103-01 103-104-01	2
12	Nut (5/8UNC) 150 / 300 Class 600 Class	ANSI 2H	032-003-01 032-003-01	12 20
13	Capacity Tag	Brass	100-013-01	1

Boxed items indicate recommended spare parts				
14	3" Port Rebuild Kit (includes items 3,5,8 & 9) (*XX indicate Diaphragm durometer, refer to item 8)	-	103-175-XX	2

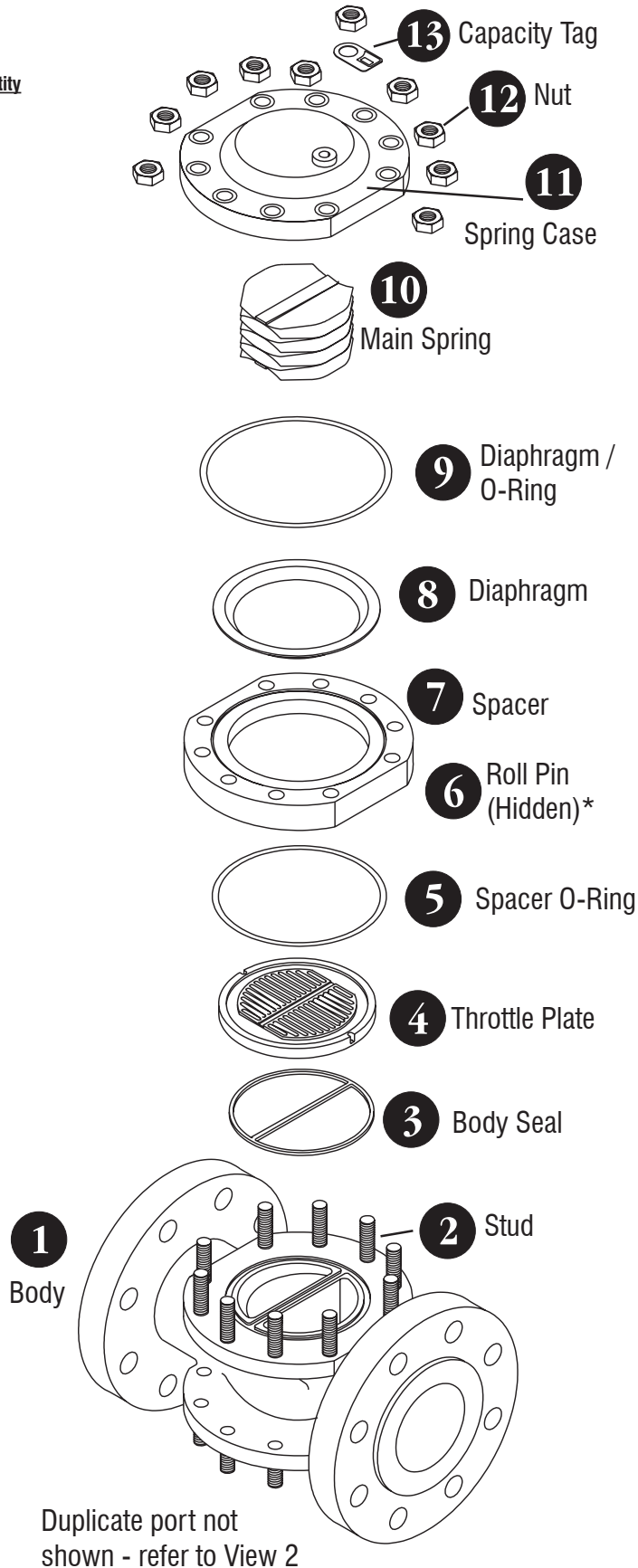
[†] (FG-*) Indicates stock number for the Flowgrid Valve Assembly associated with each body

*Roll Pins (not shown in this view) mounted on the spacer ensure the proper alignment of the throttle plate

4a Drilled Hole Throttle Plate



View 2



PARTS LIST - 4" Single Port Valves

4"
Single
Port

Includes: 4" RF Flanged CL 150 - 600, 4" Butt weld CL 150 / 300 & CL 600, 4" Type-A CL 150 - 300 Flangeless, 6" x 4" Flangeless CL 150 - 300

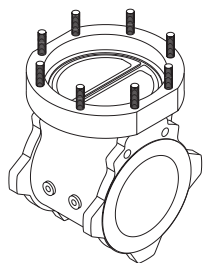
Item	Description	Material	Part Number	Quantity
1	Body - Single Port	Carbon Steel		1
	4" CL 150 RF Flanged (FG-39) [†]	(A 216 Gr. WCB)	104-003-01	
	4" CL 300 RF Flanged (FG-40) [†]		104-005-01	
	4" CL 600 RF Flanged (FG-41) [†]		104-004-01	
	4" CL 150/300 Butt weld End (FG-63) [†]		104-029-01	
	4" CL 600 Butt weld End (FG-64) [†]		104-024-01	
1a	6" x 4" CL 150 Flangeless (FG-42) [†]		106-020-01	
	6" x 4" CL 300 Flangeless (FG-43) [†]		106-021-01	
1b	4" Type-A CL 150, 300 Flangeless (FG-106, 107) [†]		104-145-01	
2	Stud (5/8 UNC)	ANSI B-7		
	150 / 300 Class 5/8-11 UNC x 2.50		031-001-01	8
	600 Class 5/8-11 UNC x 7.75		031-001-01	12
3	Roll Pin (3/16 x 1/2)	Steel	035-001-01	2
4	Body Seal	Nitrile	104-016-01	1
5	Throttle Plate			1
	100% Capacity Flowgrid	17-4 PH SST	104-012-01	
	75% Capacity Flowgrid	17-4 PH SST	104-022-01	
	50% Capacity Flowgrid	17-4 PH SST	104-018-01	
	35% Capacity Flowgrid	17-4 PH SST	104-023-01	
5a	100% Capacity Drilled Hole	17-4 PH SST	104-009-01	
	75% Capacity Drilled Hole	17-4 PH SST	104-033-01	
	50% Capacity Drilled Hole	17-4 PH SST	104-031-01	
	35% Capacity Drilled Hole	17-4 PH SST	104-034-01	
6	Spacer O-Ring	Nitrile	021-265-01	1
7	Spacer	Carbon Steel	104-011-01	1
8	Diaphragm			1
	75 Durometer	Nitrile / Nylon	104-013-01	
	60 Durometer	Nitrile / Nylon	104-013-02	
	80 Durometer Hi-ACN	Nitrile / Nylon	104-013-04	
	80 Durometer Lo-ACN	Nitrile / Nylon	104-013-03	
9	Main Spring			1
	Standard	301 Stainless Steel	104-014-01	
	Low Differential	301 Stainless Steel	104-019-01	
10	Spring Case	Carbon Steel		1
	150 / 300 Class	(A 216 Gr. WCB)	104-010-01	
	600 Class		104-015-01	
11	Nut (5/8 UNC)	ANSI 2H		
	150 / 300 Class		032-003-01	8
	600 Class		032-003-01	12
12	Capacity Tag	Brass	100-013-01	1
13	Line Bolt Kit: Flangeless Valves*	N/A		1
	6" x 4" CL 150 Flangeless (FG-42)		FG-42A	
	6" x 4" CL 300 Flangeless (FG-43)		FG-43A	
	4" Type-A CL 150 (FG-106)		104-165-01	
	4" Type-A CL 300 (FG-107)		104-166-01	

Boxed items indicate recommended spare parts

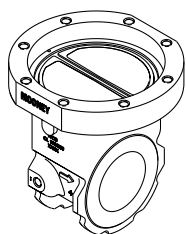
13	4" Port Rebuild Kit	-	104-155-XX	1
	(includes items 4, 6, & 8)			
	(*XX indicate Diaphragm durometer, refer to item 8)			

[†] (FG-*) Indicates stock number for the Flowgrid Valve Assembly associated with each body
 * Line-Bolt Kits for all flangeless valves are listed on page 44.

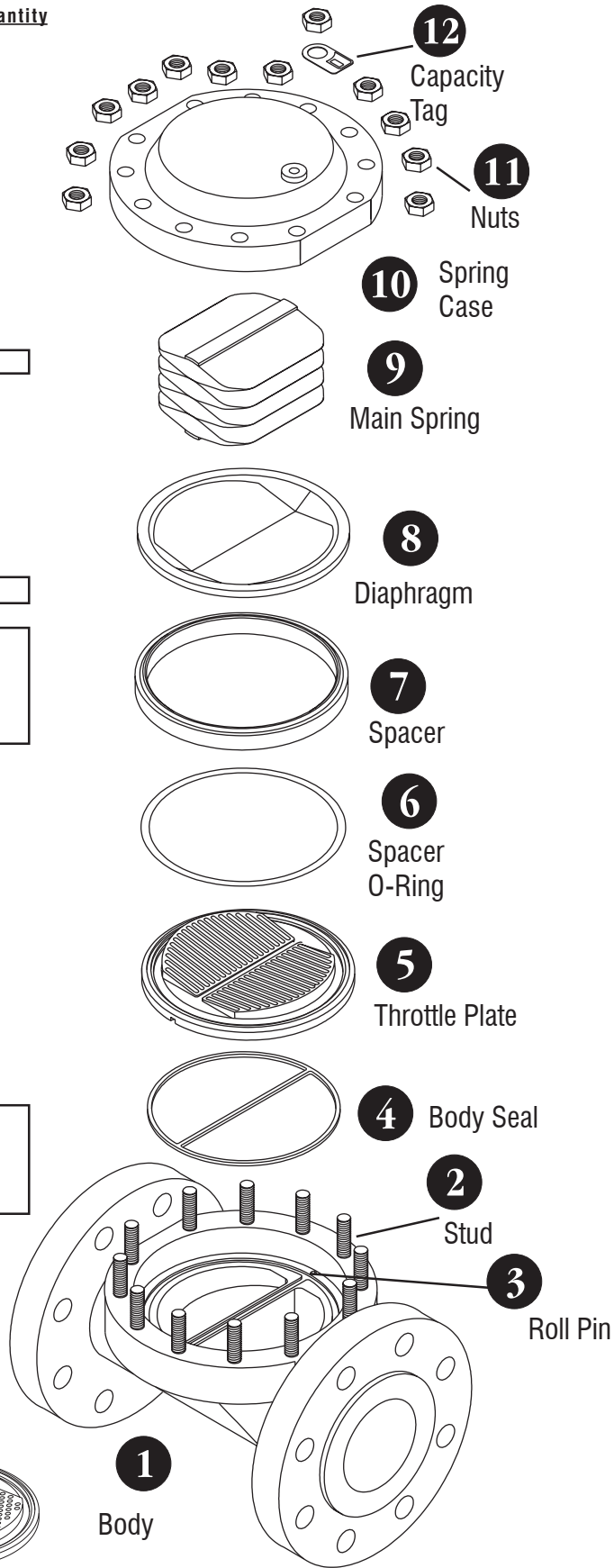
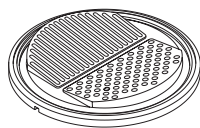
1a 6" x 4" Flangeless Body



1b 4" Type-A Flangeless Body



5a Drilled Hole Throttle Plate



PARTS LIST - 6" Single Port Valves

Includes: 6" RF Flanged CL 150 - 600 & Buttwelded CL 150 / 300 & 600

6"

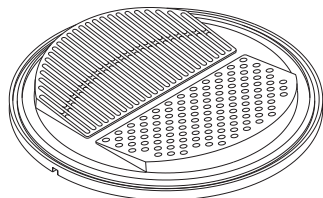
Single Port

Item	Description	Material	Part Number	Quantity
1	Body - Single Port	Carbon Steel		1
	6" CL 150 RF Flanged (FG-44)†	(A 216 Gr. WCB)	106-002-01	
	6" CL 300 RF Flanged (FG-45)†		106-011-01	
	6" CL 600 RF Flanged (FG-46)†		106-003-01	
1a	6" CL 150/300 Buttweld (FG-65)†		106-027-01	
	6" CL 600 Buttweld (FG-66)†		106-024-01	
2	Stud	ANSI B-7		
	150 / 300 Class 5/8-11 UNC x 2.75		031-005-01	12
	600 Class 3/4-10 UNC x 3.50		031-006-01	16
3	Roll Pin (3/16 x 1/2)	Steel	035-001-01	2
4	Body Seal	Nitrile	106-007-01	1
5	Throttle Plate			1
	100% Capacity Flowgrid	17-4PH SST	106-004-01	
	75% Capacity Flowgrid	17-4PH SST	106-022-01	
	50% Capacity Flowgrid	17-4PH SST	106-012-01	
	35% Capacity Flowgrid	17-4PH SST	106-023-01	
5a	100% Capacity Drilled Hole	17-4PH SST	106-026-01	
	75% Capacity Drilled Hole	17-4PH SST	106-030-01	
	50% Capacity Drilled Hole	17-4PH SST	106-033-01	
	35% Capacity Drilled Hole	17-4PH SST	106-032-01	
6	Spacer O-Ring	Nitrile	021-275-01	1
7	Spacer	Carbon Steel	106-008-01	1
8	Diaphragm			1
	75 Durometer	Nitrile / Nylon	106-005-01	
	60 Durometer	Nitrile / Nylon	106-005-02	
	80 Durometer Hi-ACN	Nitrile / Nylon	106-005-04	
	80 Durometer Lo-ACN	Nitrile / Nylon	106-005-03	
9	Main Spring			1
	Standard	301 Stainless Steel	106-006-01	
	Low Differential	301 Stainless Steel	106-013-01	
10	Spring Case	Carbon Steel		1
	150 / 300 Class	(A 216 Gr. WCB)	106-009-01	
	600 Class		106-010-01	
11	Nut	ANSI 2H		
	150 / 300 Class (5/8 UNC)		032-003-01	12
	600 Class (3/4 UNC)		032-004-01	16
12	Capacity Tag	Brass		1
	150 / 300 Class (5/8)		100-013-01	
	600 Class (3/4)		100-014-01	

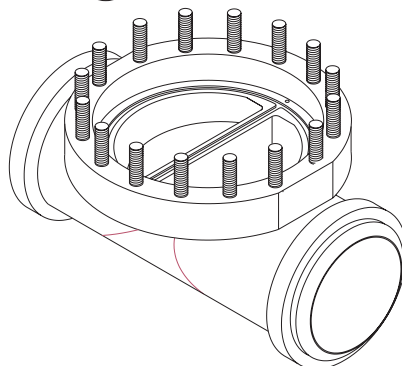
Boxed items indicate recommended spare parts				
13	6" Port Rebuild Kit	-	106-050-XX	1
	(includes items 4, 6, & 8)			
	(*XX indicate Diaphragm durometer, refer to item 8)			

† (FG-*) Indicates stock number for the Flowgrid Valve Assembly associated with each body

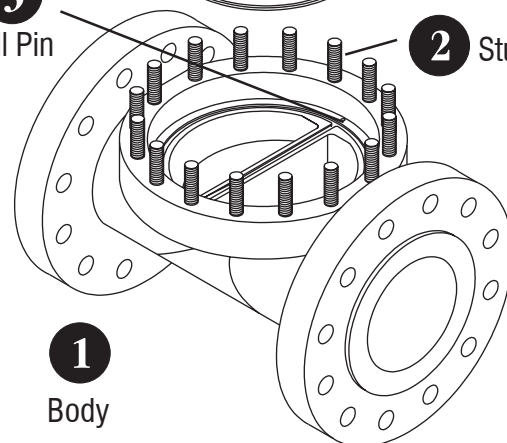
5a Drilled Hole Throttle Plate



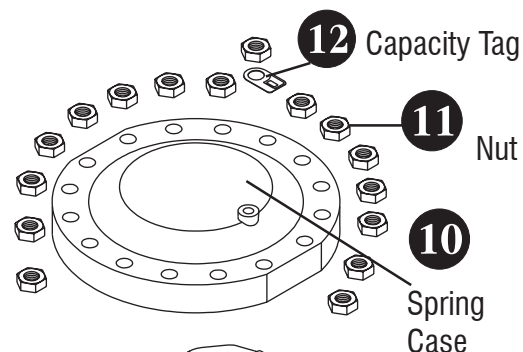
1a 6" Buttweld



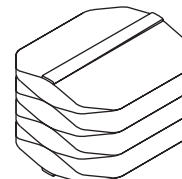
3 Roll Pin
2 Stud



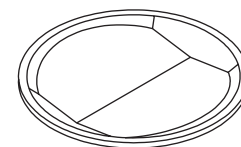
1 Body



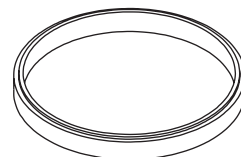
9 Main Spring



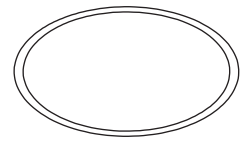
8 Diaphragm



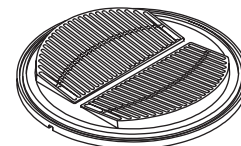
7 Spacer



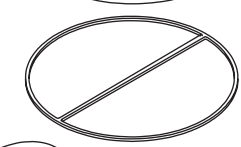
6 Spacer O-Ring



5 Throttle Plate



4 Body Seal



PARTS LIST - 8" Single Port Valves

Includes: 8" RF Flanged CL 150 - 600

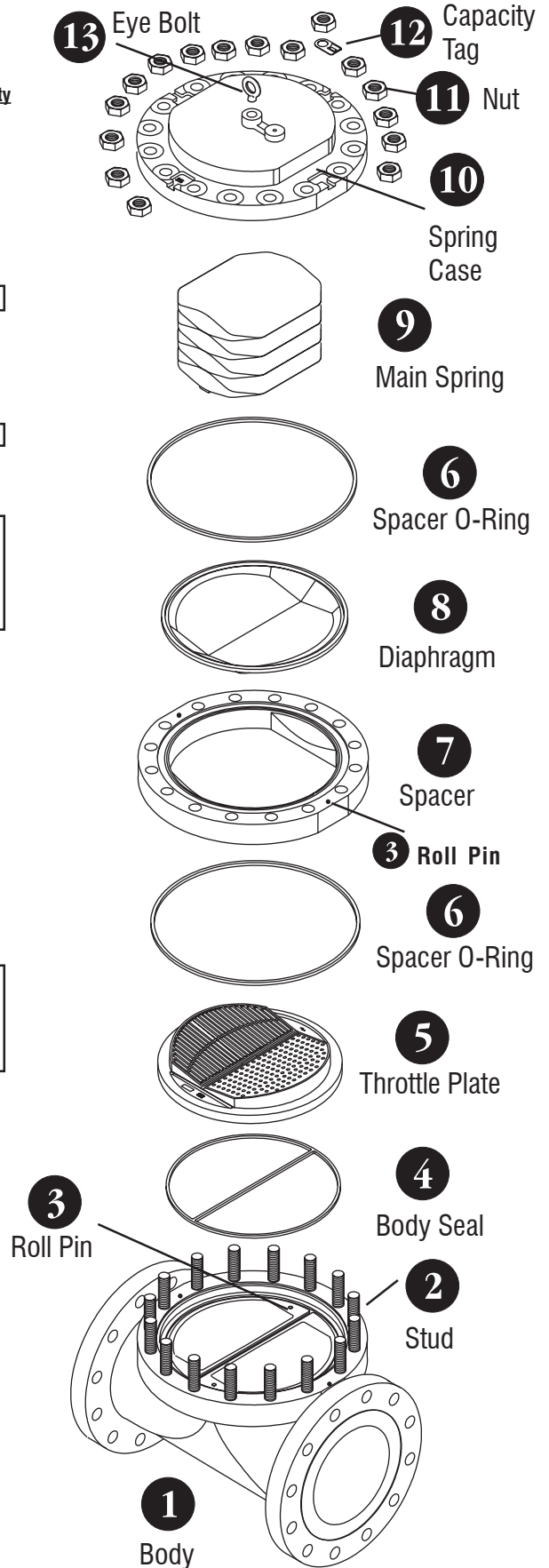
8"

Single Port

Item	Description	Material	Part Number	Quantity
1	Body - Single Port 8" CL 150 RF Flanged (FG-72) [†] 8" CL 300 RF Flanged (FG-73) [†] 8" CL 600 RF Flanged (FG-80) [†]	Carbon Steel (A216 Gr. WCB)	108-005-01 108-004-01 108-003-01	1
2	Stud 150 / 300 Class (3/4-10 UNC x 5.25) 600 Class (7/8-9 UNC x 5.75)	ANSI B-7	031-017-01 031-018-01	16 24
3	Roll Pin (1/4 x 1/2)	Steel	035-006-01	6
4	Body Seal	Nitrile	108-016-01	1
5	Throttle Plate 100% Capacity Drilled Hole 75% Capacity Drilled Hole 50% Capacity Drilled Hole 35% Capacity Drilled Hole	17-4PH SST	108-012-01 108-013-01 108-014-01 108-015-01	1
6	Spacer O-Ring	Nitrile	021-383-01	2
7	Spacer 150/300 Class 600 Class	Carbon Steel (A216 Gr. WCB)	108-011-01 108-010-01	1
8	Diaphragm 75 Durometer 60 Durometer 80 Durometer Hi-ACN 80 Durometer Lo-ACN	Nitrile / Nylon Nitrile / Nylon Nitrile / Nylon Nitrile / Nylon	108-002-01 108-002-02 108-002-03 108-002-04	1
9	Main Spring	301 Stainless Steel	108-009-01	1
10	Spring Case 150 / 300 Class 600 Class	Carbon Steel (A216 Gr. WCB)	108-008-01 108-007-01	1
11	Nut 150 / 300 Class (3/4 UNC) 600 Class (7/8 UNC)	ANSI 2H	032-004-01 032-005-01	16 24
12	Capacity Tag 150 / 300 Class (3/4) 600 Class (5/8)	Brass	100-014-01 100-013-01	1
13	Eyebolt (5/8)	Steel	033-004-01	1
14	Pilot Mounting Bracket Series 20, 20S, 20H, 20HS Pilots Series 20L-A & 20L-B Pilots	Steel	100-029-02 100-028-01	1 (opt.)

Boxed items indicate recommended spare parts				
15	8" Port Rebuild Kit (includes items 4, 6, & 8) (*XX indicate Diaphragm durometer, refer to item 8)	-	108-040-XX	1

[†] (FG-*) Indicates stock number for the Flowgrid Valve Assembly associated with each body



PARTS LIST - 10" V-6" Dual Port Valves

10" V-6

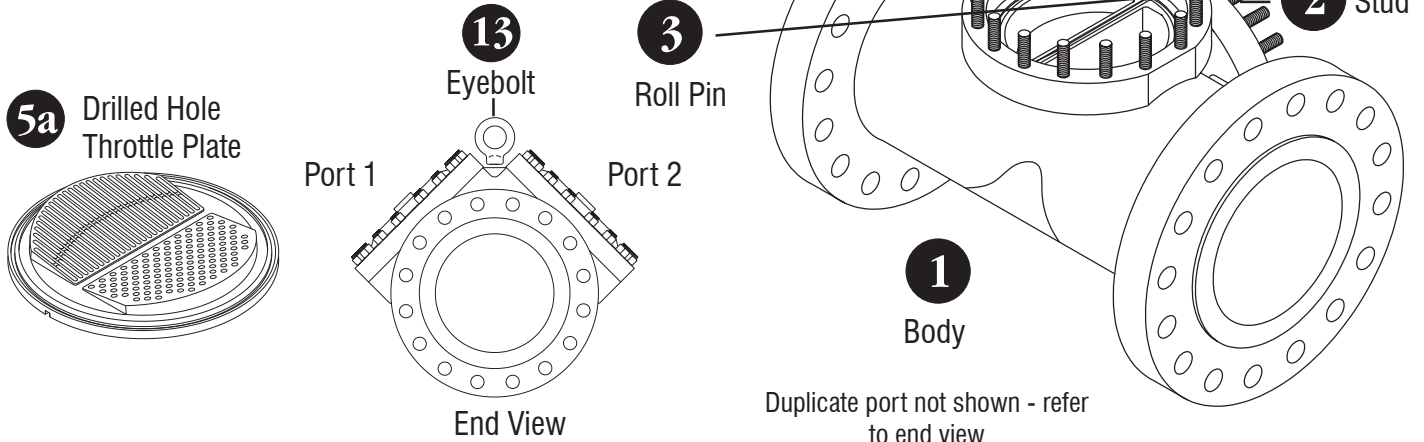
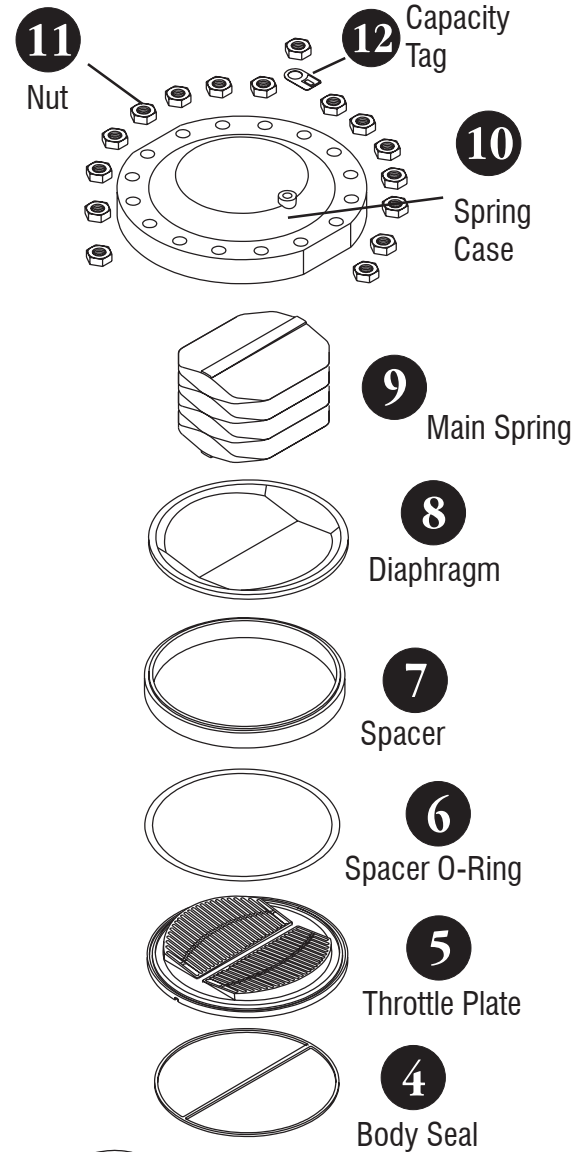
Dual Port

Includes: 10" V-6" Dual Port Flanged CL 150 - 600

Item	Description	Material	Part Number	Quantity
1	Body - Single Port 10" CL 150 RF Flanged (FG-57) [†] 10" CL 300 RF Flanged (FG-58) [†] 10" CL 600 RF Flanged (FG-59) [†]	Carbon Steel (A 216 Gr. WCB)	110-001-01 110-002-01 110-003-01	1
2	Stud 150 / 300 Class (5/8-11 UNC x 2.75) 600 Class (3/4-10 UNC x 3.50)	ANSI B-7	031-005-01 031-006-01	24 32
3	Roll Pin (3/16 x 1/2)	Steel	035-001-01	4
4	Body Seal	Nitrile	106-007-01	2
5	Throttle Plate 100% Capacity Flowgrid 75% Capacity Flowgrid 50% Capacity Flowgrid 35% Capacity Flowgrid	17-4PH SST	106-004-01 106-022-01 106-012-01 106-023-01	2
5a	100% Capacity Drilled Hole 75% Capacity Drilled Hole 50% Capacity Drilled Hole 35% Capacity Drilled Hole	17-4PH SST	106-026-01 106-030-01 106-033-01 106-032-01	2
6	Spacer O-Ring	Nitrile	021-275-01	2
7	Spacer	Carbon Steel	106-008-01	2
8	Diaphragm 75 Durometer 60 Durometer 80 Durometer Hi-ACN 80 Durometer Lo-ACN	Nitrile / Nylon	106-005-01 106-005-02 106-005-04 106-005-03	2
9	Main Spring Standard Low Differential	301 Stainless Steel 301 Stainless Steel	106-006-01 106-013-01	2
10	Spring Case 150 / 300 Class 600 Class	Carbon Steel (A 216 Gr. WCB)	106-009-01 106-010-01	2
11	Nut 150 / 300 Class (5/8 UNC) 600 Class (3/4 UNC)	ANSI 2H	032-003-01 032-004-01	24 32
12	Capacity Tag 150 / 300 Class (5/8) 600 Class (3/4)	Brass	100-013-01 100-014-01	1
13	Eyebolt (3/4)	Steel	033-002-01	1
14	Manifold Block	Steel	110-009-01	1 (opt.)

Boxed items indicate recommended spare parts				
15	6" Port Rebuild Kit (includes items 4, 6, & 8) (*XX indicate Diaphragm durometer, refer to item 8)	-	106-050-XX	2

[†] (FG-*) Indicates stock number for the Flowgrid Valve Assembly associated with each body



Duplicate port not shown - refer to end view

PARTS LIST - 12" V-8" Dual Port Valves

12" V-8"

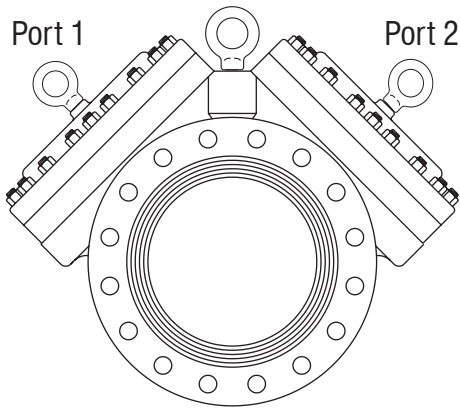
Dual Port

Includes: 12" V-8" Dual Port RF Flanged CL 150 - 600

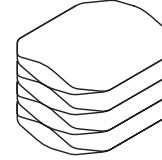
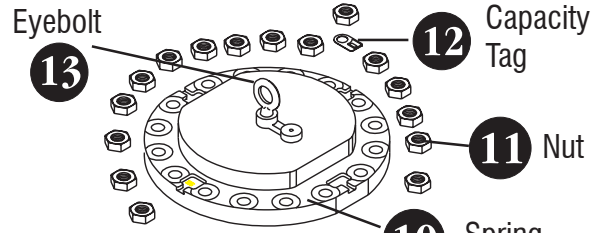
Item	Description	Material	Part Number	Quantity
1	Body - Dual Port	Carbon Steel		1
	12" CL 150 RF Flanged (FG-74) [†]	(A216 Gr. WCB)	112-003-01	
	12" CL 300 RF Flanged (FG-75) [†]		112-002-01	
	12" CL 600 RF Flanged (FG-81) [†]		112-004-01	
2	Stud	ANSI B-7		
	150 / 300 Class(3/4-10 UNC x 5.25)		031-017-01	32
	600 Class (7/8-9 UNC x 5.75)		031-018-01	48
3	Roll Pin (1/4 x 1/2)	Steel	035-006-01	12
4	Body Seal	Nitrile	108-016-01	2
5	Throttle Plate	17-4PH SST		2
	100% Capacity Drilled Hole		108-012-01	
	75% Capacity Drilled Hole		108-013-01	
	50% Capacity Drilled Hole		108-014-01	
	35% Capacity Drilled Hole		108-015-01	
6	Spacer O-Ring	Nitrile	021-383-01	4
7	Spacer	Carbon Steel		2
	150/300 Class	(A216 Gr. WCB)	108-011-01	
	600 Class		108-010-01	
8	Diaphragm			2
	75 Durometer	Nitrile / Nylon	108-002-01	
	60 Durometer	Nitrile / Nylon	108-002-02	
	80 Durometer Hi-ACN	Nitrile / Nylon	108-002-03	
	80 Durometer Lo-ACN	Nitrile / Nylon	106-002-04	
9	Main Spring	301 Stainless Steel	108-009-01	2
10	Spring Case	Carbon Steel		2
	150 / 300 Class	(A216 Gr. WCB)	108-008-01	
	600 Class		108-007-01	
11	Nut	ANSI 2H		
	150 / 300 Class (3/4 UNC)		032-004-01	32
	600 Class (7/8 UNC)		032-005-01	48
12	Capacity Tag	Brass		
	150/300 Class (3/4)		100-014-01	2
	600 Class (5/8)		100-013-01	2
13	Eyebolt	Steel		3
	Spring Case (5/8)		033-004-01	2
	Valve Body (3/4)		033-002-01	1
14	Manifold Block	Steel	110-009-01	1 (opt.)

Boxed items indicate recommended spare parts				
15	8" Port Rebuild Kit	-	108-040-XX	2
	(includes items 4,6, & 8)			
	(*XX indicate Diaphragm durometer, refer to item 8)			

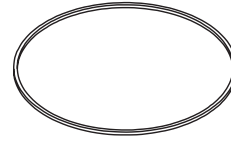
[†] (FG-*) Indicates stock number for the Flowgrid Valve Assembly associated with each body



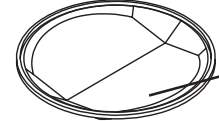
End View



Main Spring



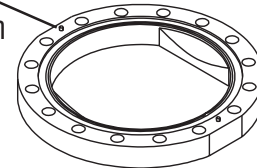
Spacer O-Ring



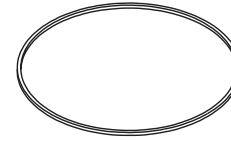
Diaphragm



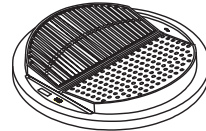
Roll Pin



Spacer



Spacer O-Ring



Throttle Plate



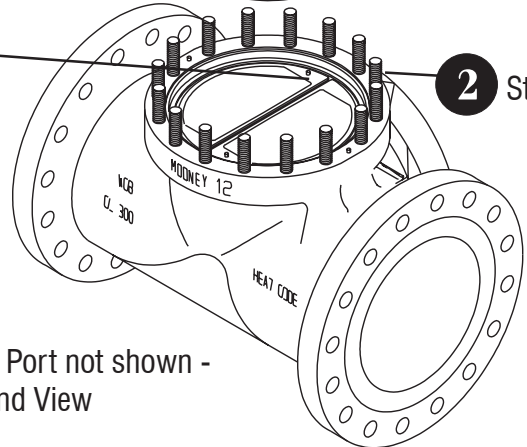
Body Seal



Roll Pin



Body



Stud

Duplicate Port not shown - refer to End View

PARTS LIST - 2" FlowMax® Regulator

Includes: 2" NPT, 2" RF 150 CL, and 2" FF 125 CL Flanged

2"
FlowMax

Item	Description	Material	Part Number	Quantity
1	2" RF Flanged Body (FM-1)	Ductile Iron	132-002-01	1
	2" NPT Body (FM-2)	Ductile Iron	132-004-01	1
	2" FF Flanged Body (FM-3)	Ductile Iron	132-005-01	1
2	Body Gasket	Neoprene	132-025-01	1
3	Cage	Ductile Iron	132-047-01	1
4	Stem O-ring	Nitrile	021-114-01	1
5	Stem Bushing	Delrin®	132-066-01	1
6	Bushing O-ring	Nitrile	021-118-01	1
7	Housing O-ring	Nitrile	021-240-01	1
8	Housing Nut	SST	032-008-01	10
9	Housing Washer	SST	034-006-01	20
10	Housing Capscrew	SST	030-025-01	10
11	Actuator Housing - Lower	Aluminum	132-010-01	1
12	Housing Alignment Pin	Steel	035-008-01	1
13	Actuator Housing - Upper	Aluminum	132-012-01	1
14	Balancing Diaphragm O-ring	Nitrile	021-151-01	1
15	Spring Case	Aluminum	132-021-01	1
16	Spring Case Capscrew	SST	030-029-01	4
17	Spring Case Cap O-ring	Nitrile	021-134-01	1
18	Spring Case Cap	Aluminum	132-043-01	1
19	Body Capscrew	SST	030-026-01	2

Optional Travel Indicator Kit (132-078-01) including:

20	Indicator Stem	SST	132-083-01	1
21	Indicator Stem O-ring Retainer	Nylon	132-084-01	1
22	Indicator Stem O-ring	Nitrile	021-104-01	1
23	Spring Case Cap	Aluminum	132-080-01	1
24	Indicator Cover O-ring	Nitrile	021-112-01	1
25	Indicator Cover	Aluminum	132-081-02	1

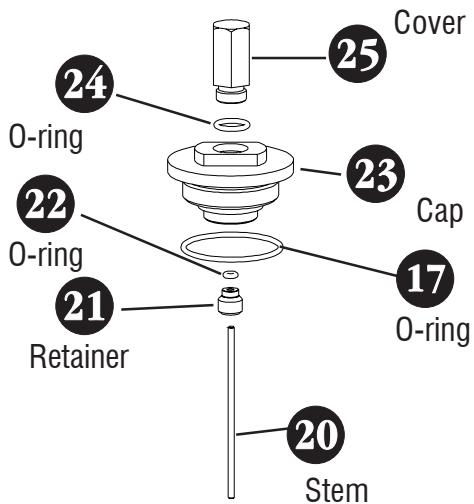
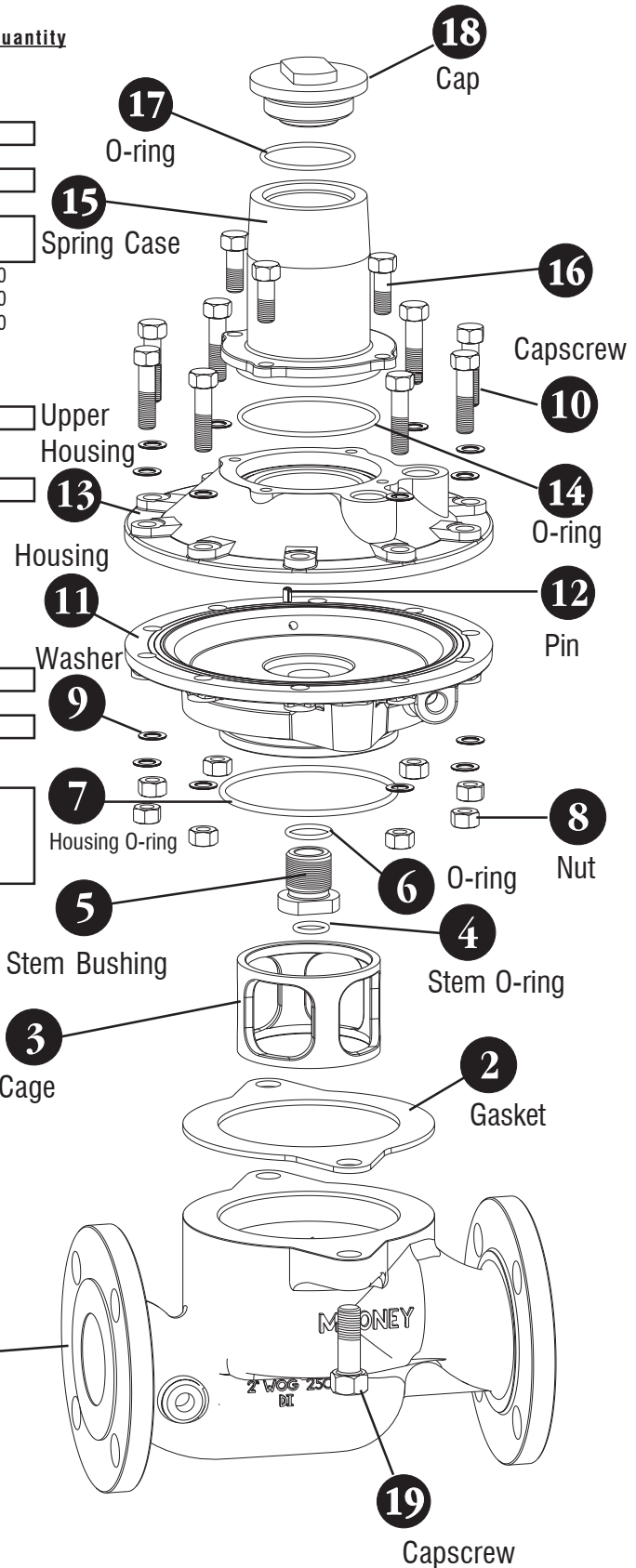
Boxed items indicate recommended spare parts

26	2" FlowMax Rebuild Kit	-	132-090-01	1
----	------------------------	---	------------	---

(includes item 2 from page 20 and items 5, 11 & 14 from page 21)

®Delrin is a registered trademark of E.I. du Pont de Nemours and Company

See Back Page for Internal Components



Optional Travel
Indicator Assembly

PARTS LIST - 2" FlowMax® Regulator

Internal Components

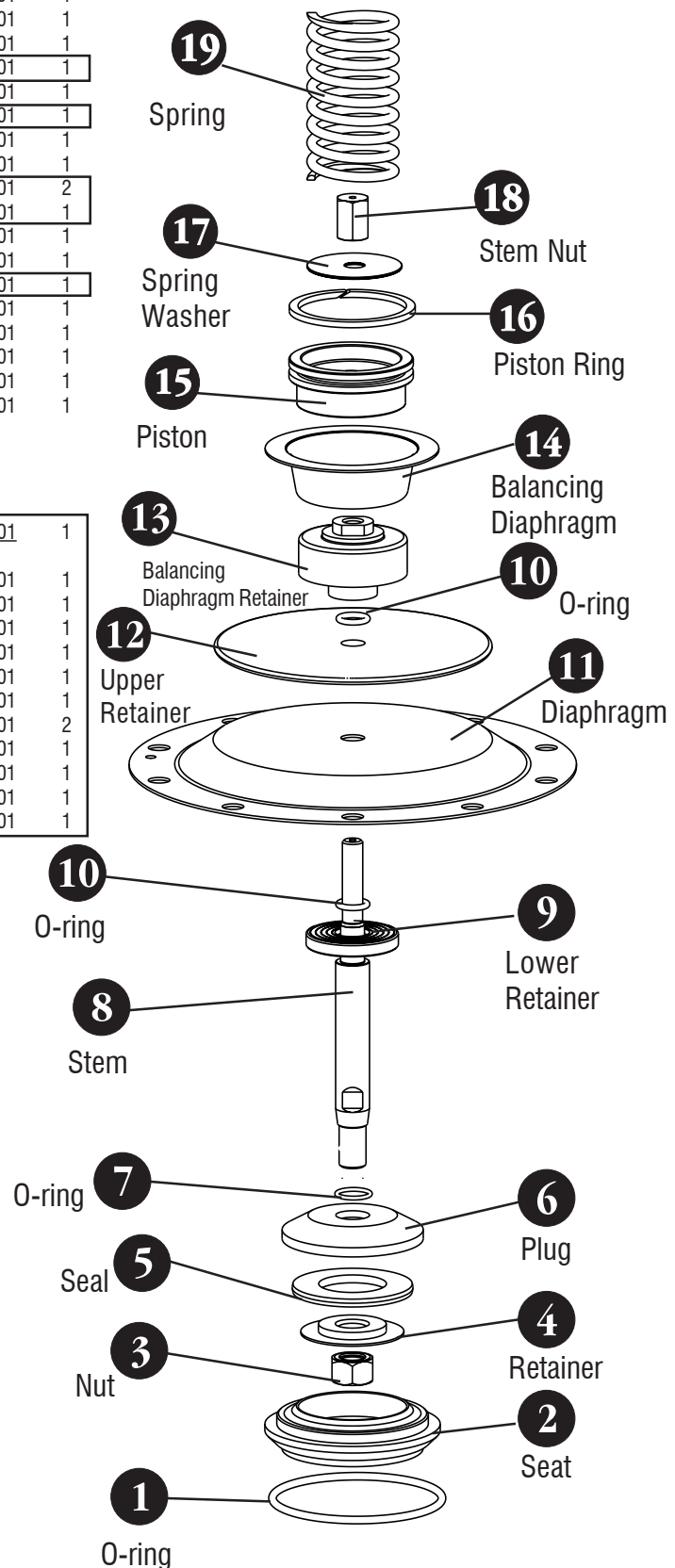
2"
FlowMax®

Item	Description	Material	Part Number	Quantity
1	Seat O-ring	Nitrile	021-234-01	1
2	Seat	Brass	132-045-01	1
3	Stem Nut	Steel/Nitrile	033-001-01	1
4	Plug Seal Retainer	Brass	132-055-01	1
5	Plug Seal	Nitrile	132-070-01	1
6	Plug	Brass	132-050-01	1
7	Plug O-ring	Nitrile	021-015-01	1
8	Stem	SST	132-035-01	1
9	Diaphragm Retainer - Lower	Aluminum	132-031-01	1
10	Main Diaphragm O-ring	Nitrile	021-111-01	2
11	Main Diaphragm	Nitrile/Nylon	132-038-01	1
12	Diaphragm Retainer - Upper	Steel	132-030-01	1
13	Balancing Diaphragm Retainer	Aluminum	132-036-01	1
14	Balancing Diaphragm	Nitrile/Nylon	132-039-01	1
15	Piston	Delrin®	132-033-01	1
16	Piston Ring	Nylon	132-085-01	1
17	Spring Washer	SST	034-007-01	1
18	Upper Stem Nut	Steel	132-079-01	1
19	Main Spring	Music Wire	040-025-01	1

®Delrin is a registered trademark of E.I. du Pont de Nemours and Company

Boxed items indicate recommended spare parts

20	2" FlowMax O-Ring Kit	Nitrile	132-075-01	1
<i>Includes:</i>				
	Stem O-ring	Nitrile	021-114-01	1
	Bushing O-ring	Nitrile	021-118-01	1
	Housing O-ring	Nitrile	021-240-01	1
	Spring Cap O-ring	Nitrile	021-134-01	1
	Seat O-ring	Nitrile	021-234-01	1
	Plug O-ring	Nitrile	021-015-01	1
	Main Diaphragm O-ring	Nitrile	021-111-01	2
	Balancing Diaphragm O-ring	Nitrile	021-151-01	1
	Indicator Stem O-ring	Nitrile	021-104-01	1
	Indicator Cover O-ring	Nitrile	021-112-01	1
	O-ring Lubricant	Silicon	025-006-01	1



PARTS LIST - 3" FlowMax® Regulator

Includes: 3" RF 150 CL, and 3" FF 125 CL Flanged

3"
FlowMax

Item	Description	Material	Part Number	Quantity
1	3" RF Flanged Body (FM-4)	Ductile Iron	133-002-01	1
	3" FF Flanged Body (FM-5)	Ductile Iron	133-004-01	
2	Body Gasket	Neoprene	133-025-01	1
3	Cage	Ductile Iron	133-014-01	1
4	Stem O-ring	Nitrile	021-211-01	1
5	Stem Bushing	Delrin®	134-017-01	1
6	Bushing O-ring	Nitrile	021-122-01	1
7	Housing O-ring	Nitrile	021-246-01	1
8	Housing Nut	SST	032-010-01	12
9	Housing Washer	SST	034-010-01	24
10	Housing Capscrew	SST	030-035-01	12
11	Actuator Housing - Lower	Aluminum	133-010-01	1
12	Housing Alignment Pin (.075) Standard	SST	134-049-01	1
	Housing Alignment Pin (.063)	SST	134-050-01	1
	Housing Alignment Pin (.047)	SST	134-051-01	1
13	Actuator Housing - Upper	Aluminum	133-012-01	1
14	Balancing Diaphragm O-ring	Nitrile	021-240-01	1
15	Spring Case	Aluminum	133-021-01	1
16	Spring Case Capscrew	SST	030-033-01	4
17	Spring Case Cap O-ring	Nitrile	021-141-01	1
18	Spring Case Cap	Aluminum	134-023-01	1
19	Body Capscrew	SST	030-026-01	4
20	Alignment Pin O-ring	Nitrile	021-008-01	2

®Delrin is a registered trademark of E. I. du Pont de Nemours and Company

Optional Travel Indicator Kit (133-047-01) including:

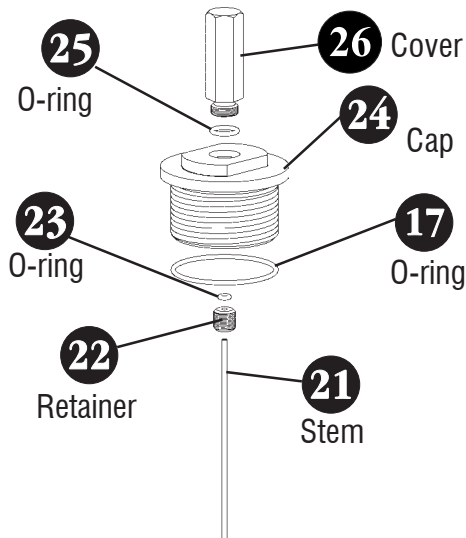
17	Spring Case Cap O-ring	Nitrile	021-141-01	1
21	Indicator Stem	SST	133-046-01	1
22	Indicator Stem O-ring Retainer	Nylon	132-084-01	1
23	Indicator Stem O-ring	Nitrile	021-104-01	1
24	Spring Case Cap	Aluminum	134-024-01	1
25	Indicator Cover O-ring	Nitrile	021-112-01	1
26	Indicator Cover	Aluminum	134-045-01	1

Boxed items indicate recommended spare parts

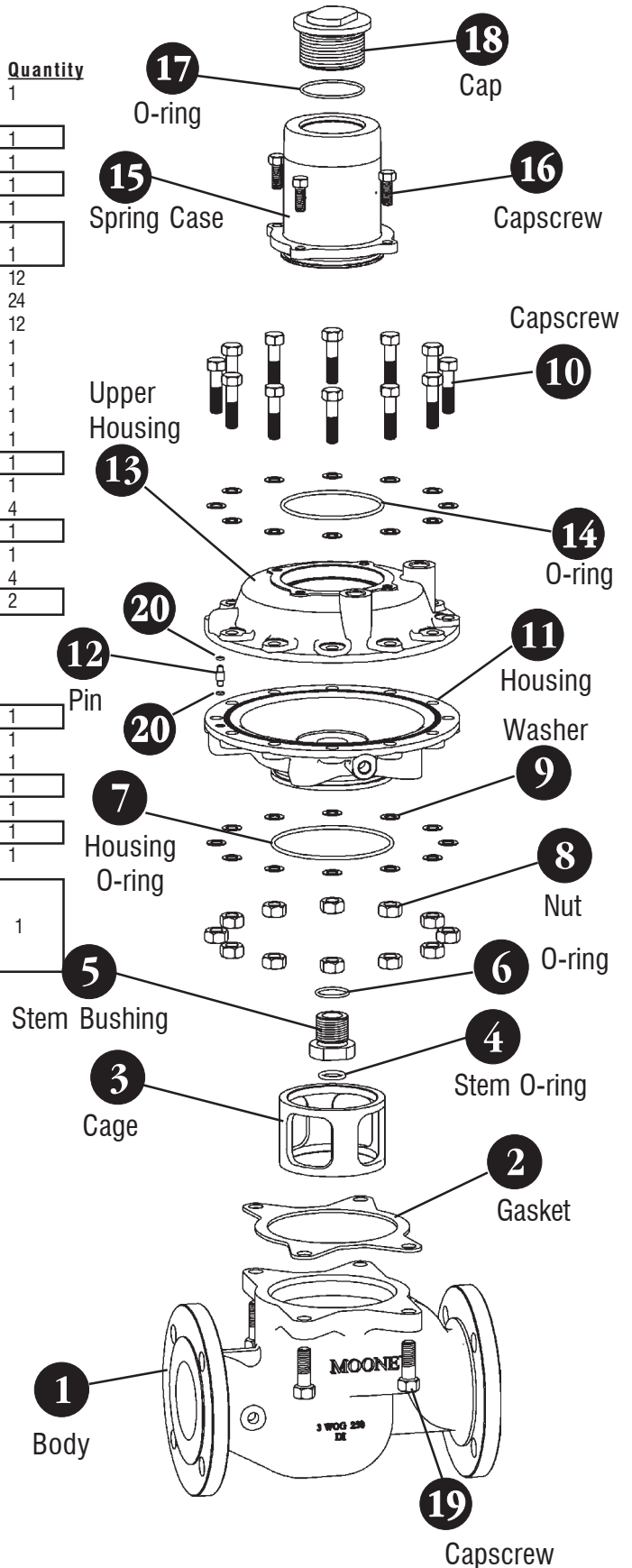
27	3" FlowMax Rebuild Kit	-	133-090-01	1
----	------------------------	---	------------	---

(includes item 2 from page 22 and items 5,11,14 & 22 from page 23)

See Back Page for Internal Components



Optional Travel
Indicator Assembly



PARTS LIST - 3" FlowMax[®] Regulator

Internal Components

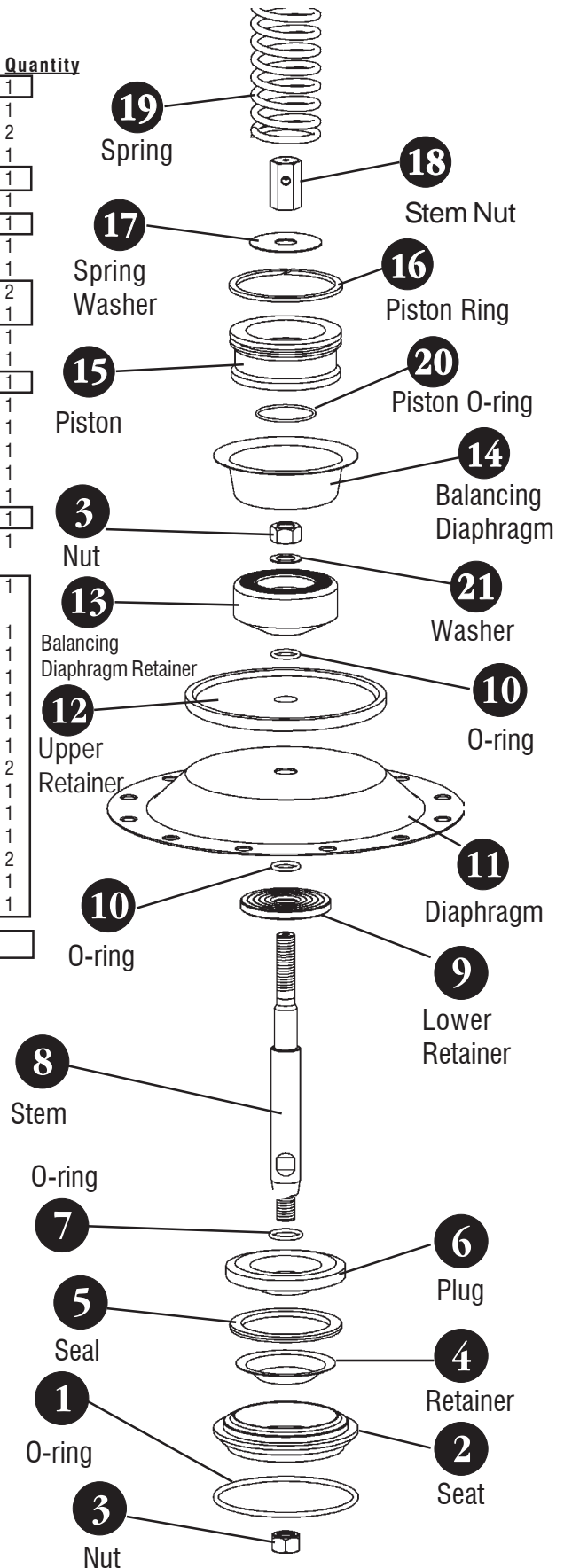
3"
FlowMax

Item	Description	Material	Part Number	Quantity
1	Seat O-ring	Nitrile	021-240-01	1
2	Seat	Brass	133-005-01	1
3	Stem Nut	Steel/Nitrile	033-001-01	2
4	Plug Seal Retainer	SST	133-043-01	1
5	Plug Seal	Nitrile	133-042-01	1
6	Plug	Brass	133-041-01	1
7	Plug O-ring	Nitrile	021-116-01	1
8	Stem	SST	133-016-01	1
9	Diaphragm Retainer - Lower	Aluminum	134-031-01	1
10	Main Diaphragm O-ring	Nitrile	021-114-01	2
11	Main Diaphragm	Nitrile/Nylon	133-038-01	1
12	Diaphragm Retainer - Upper	Aluminum	133-030-01	1
13	Balancing Diaphragm Retainer	Aluminum	133-027-01	1
14	Balancing Diaphragm	Nitrile/Nylon	133-039-01	1
15	Piston	Delrin [®]	133-033-01	1
16	Piston Ring	Nylon	133-034-01	1
17	Spring Washer	SST	034-008-01	1
18	Upper Stem Nut	Steel	134-018-01	1
19	Main Spring	Music Wire	040-026-01	1
20	Piston O-ring	Nylon	021-029-01	1
21	Washer	SST	034-009-01	1

22	3" FlowMax O-Ring Kit		133-055-01	1
<i>Includes:</i>				
	Stem O-ring	Nitrile	021-211-01	1
	Bushing O-ring	Nitrile	021-122-01	1
	Housing O-ring	Nitrile	021-246-01	1
	Spring Case Cap O-ring	Nitrile	021-141-01	1
	Seat O-ring	Nitrile	021-240-01	1
	Plug O-ring	Nitrile	021-116-01	1
	Main Diaphragm O-ring	Nitrile	021-114-01	2
	Indicator Stem O-ring	Nitrile	021-104-01	1
	Indicator Cover O-ring	Nitrile	021-112-01	1
	Piston O-ring	Nitrile	021-029-01	1
	Alignment Pin O-ring	Nitrile	021-008-01	2
	Balancing Diaphragm O-ring	Nitrile	021-240-01	1
	O-ring Lubricant (2 gram)	Silicon	025-006-01	1

Boxed items indicate recommended spare parts

®Delrin is a registered trademark of E.I. du Pont de Nemours and Company



PARTS LIST - 4" FlowMax® Regulator

Includes: 4" RF 150 CL, and 4" FF 125 CL Flanged

4"
FlowMax

Item	Description	Material	Part Number	Quantity
1	4" RF Flanged Body (FM-6) 4" FF Flanged Body (FM-7)	Ductile Iron	134-002-01 134-004-01	1
2	Body Gasket	Neoprene	134-025-01	1
3	Cage	Ductile Iron	134-014-01	1
4	Stem O-ring	Nitrile	021-211-01	1
5	Stem Bushing	Delrin®	134-017-01	1
6	Bushing O-ring	Nitrile	021-122-01	1
7	Housing O-ring	Nitrile	021-256-01	1
8	Housing Nut	SST	032-007-02	12
9	Housing Washer	SST	034-009-01	24
10	Housing Capscrew	SST	030-032-01	12
11	Actuator Housing - Lower	Aluminum	134-010-01	1
12	Housing Alignment Pin (.075) Standard Housing Alignment Pin (.063) Housing Alignment Pin (.047)	SST SST SST	134-049-01 134-050-01 134-051-01	1 1 1
13	Actuator Housing - Upper	Aluminum	134-012-01	1
14	Balancing Diaphragm O-ring	Nitrile	021-249-01	1
15	Spring Case	Aluminum	134-021-01	1
16	Spring Case Capscrew	SST	030-033-01	6
17	Spring Case Cap O-ring	Nitrile	021-141-01	1
18	Spring Case Cap	Aluminum	134-023-01	1
19	Body Capscrew	SST	030-026-01	4
20	Alignment Pin O-ring	Nitrile	021-008-01	2

®Delrin is a registered trademark of E.I. du Pont de Nemours and Company

Optional Travel Indicator Kit (134-047-01) including:

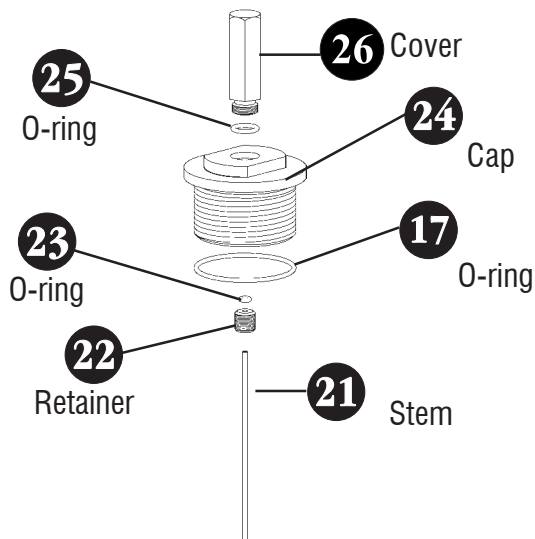
17	Spring Case Cap O-ring	Nitrile	021-141-01	1
21	Indicator Stem	SST	134-046-01	1
22	Indicator Stem O-ring Retainer	Nylon	132-084-01	1
23	Indicator Stem O-ring	Nitrile	021-104-01	1
24	Spring Case Cap	Aluminum	134-024-01	1
25	Indicator Cover O-ring	Nitrile	021-112-01	1
26	Indicator Cover	Aluminum	134-045-01	1

Boxed items indicate recommended spare parts

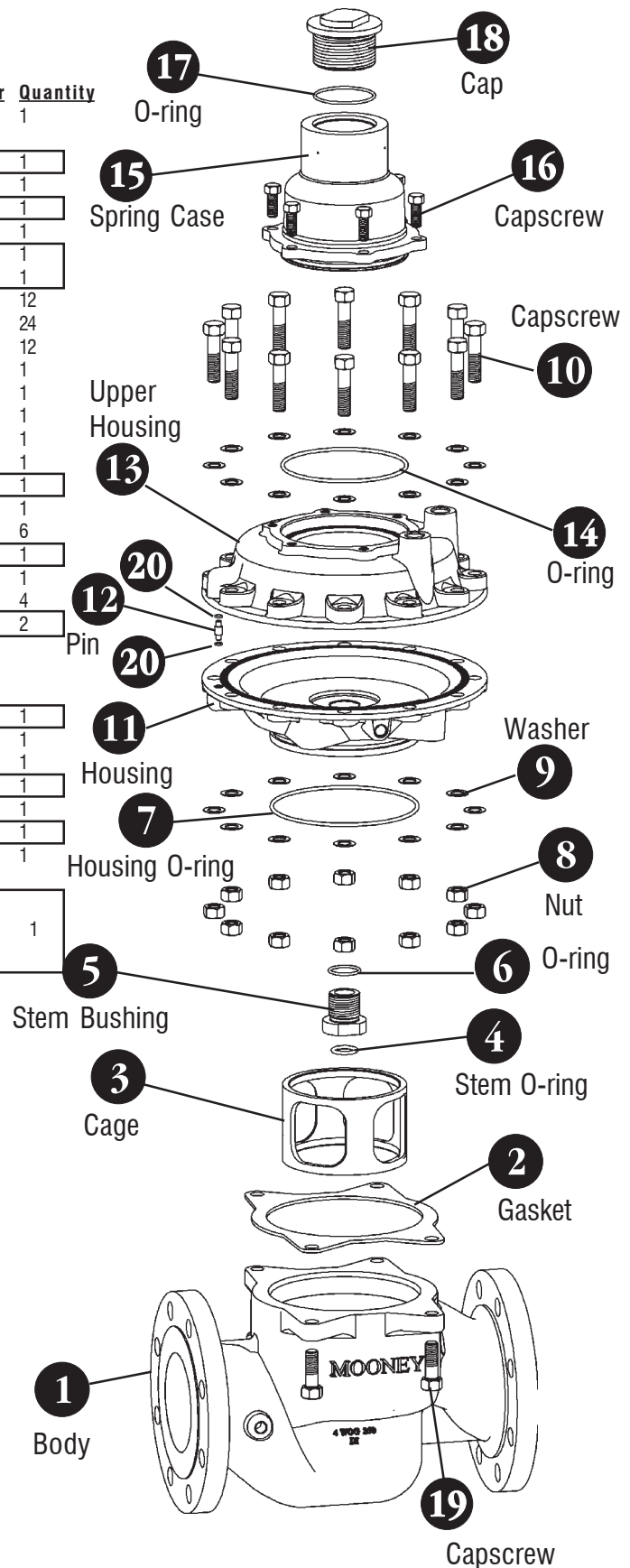
27	4" FlowMax Rebuild Kit	-	134-090-01	1
----	------------------------	---	------------	---

(includes item 2 from page 24 and items 5,11,14 & 21 from page 25)

See Back Page for Internal Components



Optional Travel
Indicator Assembly



PARTS LIST - 4" FlowMax[®] Regulator

Internal Components

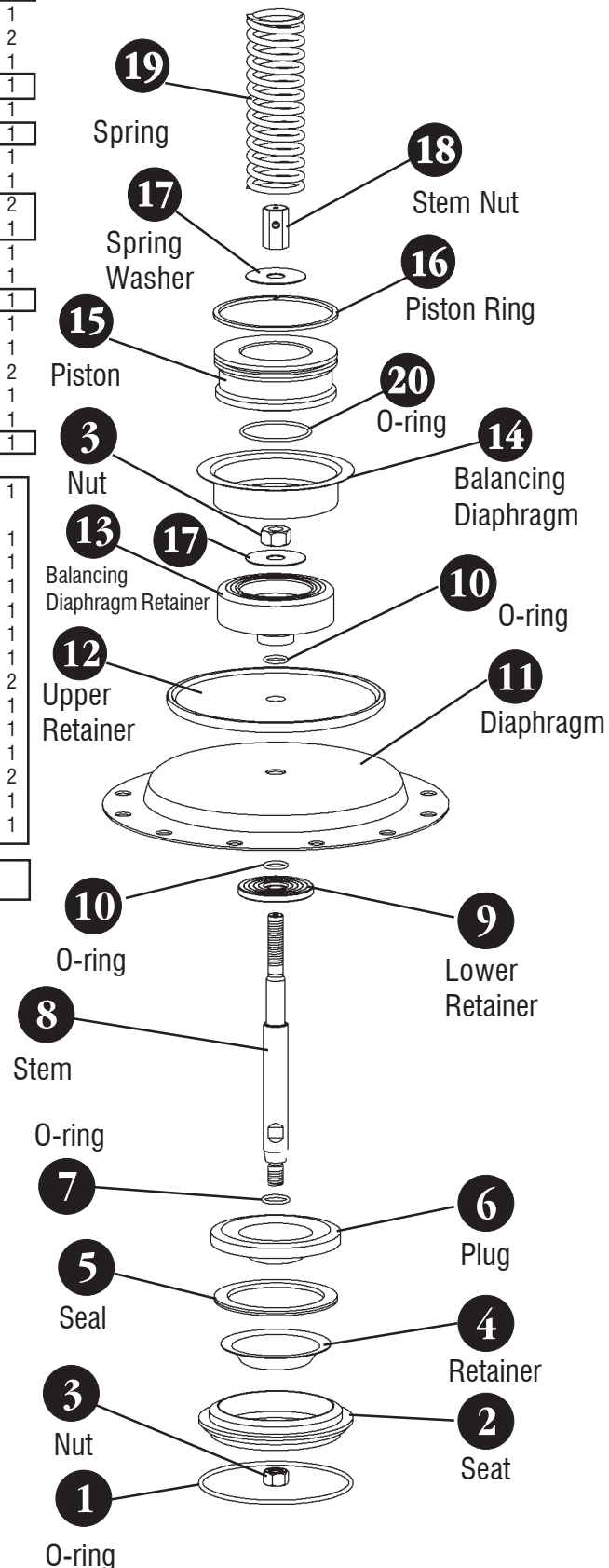
4"
FlowMax

Item	Description	Material	Part Number	Quantity
1	Seat O-ring	Nitrile	021-249-01	1
2	Seat	Brass	134-005-01	1
3	Stem Nut	Steel/Nitrile	033-001-01	2
4	Plug Seal Retainer	SST	134-043-01	1
5	Plug Seal	Nitrile	134-042-01	1
6	Plug	Brass	134-041-02	1
7	Plug O-ring	Nitrile	021-116-01	1
8	Stem	SST	134-016-01	1
9	Diaphragm Retainer - Lower	Aluminum	134-031-01	1
10	Main Diaphragm O-ring	Nitrile	021-114-01	2
11	Main Diaphragm	Nitrile/Nylon	134-038-01	1
12	Diaphragm Retainer - Upper	Aluminum	134-030-02	1
13	Balancing Diaphragm Retainer	Aluminum	134-027-01	1
14	Balancing Diaphragm	Nitrile/Nylon	134-039-01	1
15	Piston	Delrin [®]	134-033-01	1
16	Piston Ring	Nylon	134-034-01	1
17	Spring Washer	SST	034-008-01	2
18	Upper Stem Nut	Steel	134-018-01	1
19	Main Spring	Music Wire	040-027-01	1
20	Piston O-ring	Nitrile	021-139-01	1

21	4" FlowMax O-Ring Kit		134-055-01	1
<i>Includes:</i>				
	Stem O-ring	Nitrile	021-211-01	1
	Bushing O-ring	Nitrile	021-122-01	1
	Housing O-ring	Nitrile	021-256-01	1
	Spring Case Cap O-ring	Nitrile	021-141-01	1
	Seat O-ring	Nitrile	021-249-01	1
	Plug O-ring	Nitrile	021-116-01	1
	Main Diaphragm O-ring	Nitrile	021-114-01	2
	Indicator Stem O-ring	Nitrile	021-104-01	1
	Indicator Cover O-ring	Nitrile	021-112-01	1
	Piston O-ring	Nitrile	021-139-01	1
	Alignment Pin O-ring	Nitrile	021-008-01	2
	Balancing Diaphragm O-ring	Nitrile	021-249-01	1
	O-ring Lubricant (2 gram)	Silicon	025-006-01	1

Boxed items indicate recommended spare parts

®Delrin is a registered trademark of E.I. du Pont de Nemours and Company



PARTS LIST - 6" FlowMax® Regulator

Includes: 6" RF 150 CL, and 6" FF 125 CL Flanged

6"
FlowMax

Item	Description	Material	Part Number	Qty
1	6" RF Flanged Body (FM-8) 6" FF Flanged Body (FM-9)	Ductile Iron Ductile Iron	136-002-01 136-004-01	1
2	Body O-ring	Nitrile	021-367-01	1
3	Cage	Ductile Iron	136-014-01	1
4	Stem O-ring	Nitrile	021-214-01	1
5	Stem Bushing	Delrin®	136-017-01	1
6	Bushing O-ring	Nitrile	021-124-01	1
7	Housing Nut	SST	032-009-02	16
8	Housing Washer	SST	034-013-01	32
9	Housing Capscrew	SST	030-038-01	16
10	Actuator Housing - Lower	Aluminum	136-010-01	1
11	Housing Alignment Pin (.075) Standard	SST	134-049-01	1
	Housing Alignment Pin (.063)	SST	134-050-01	1
	Housing Alignment Pin (.047)	SST	134-051-01	1
12	Actuator Housing - Upper	Aluminum	136-012-01	1
13	Balancing Diaphragm O-ring	Nitrile	021-260-01	1
14	Spring Case	Aluminum	136-021-01	1
15	Spring Case Capscrew	SST	030-039-01	8
16	Spring Case Cap O-ring	Nitrile	021-232-01	1
17	Spring Case Cap	Aluminum	136-023-01	1
18	Body Capscrew	SST	030-019-02	4
19	Alignment Pin O-ring	Nitrile	021-008-01	2

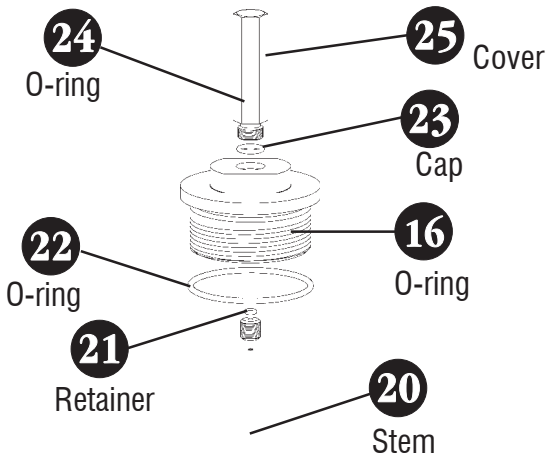
®Delrin is a registered trademark of E.I. du Pont de Nemours and Company
Optional Travel Indicator Kit (136-047-01) including:

16	Spring Case Cap O-ring	Nitrile	021-232-01	1
20	Indicator Stem	SST	136-046-01	1
21	Indicator Stem O-ring Retainer	Nylon	132-084-01	1
22	Indicator Stem O-ring	Nitrile	021-104-01	1
23	Spring Case Cap	Aluminum	136-024-01	1
24	Indicator Cover O-ring	Nitrile	021-112-01	1
25	Indicator Cover	Aluminum	136-045-01	1

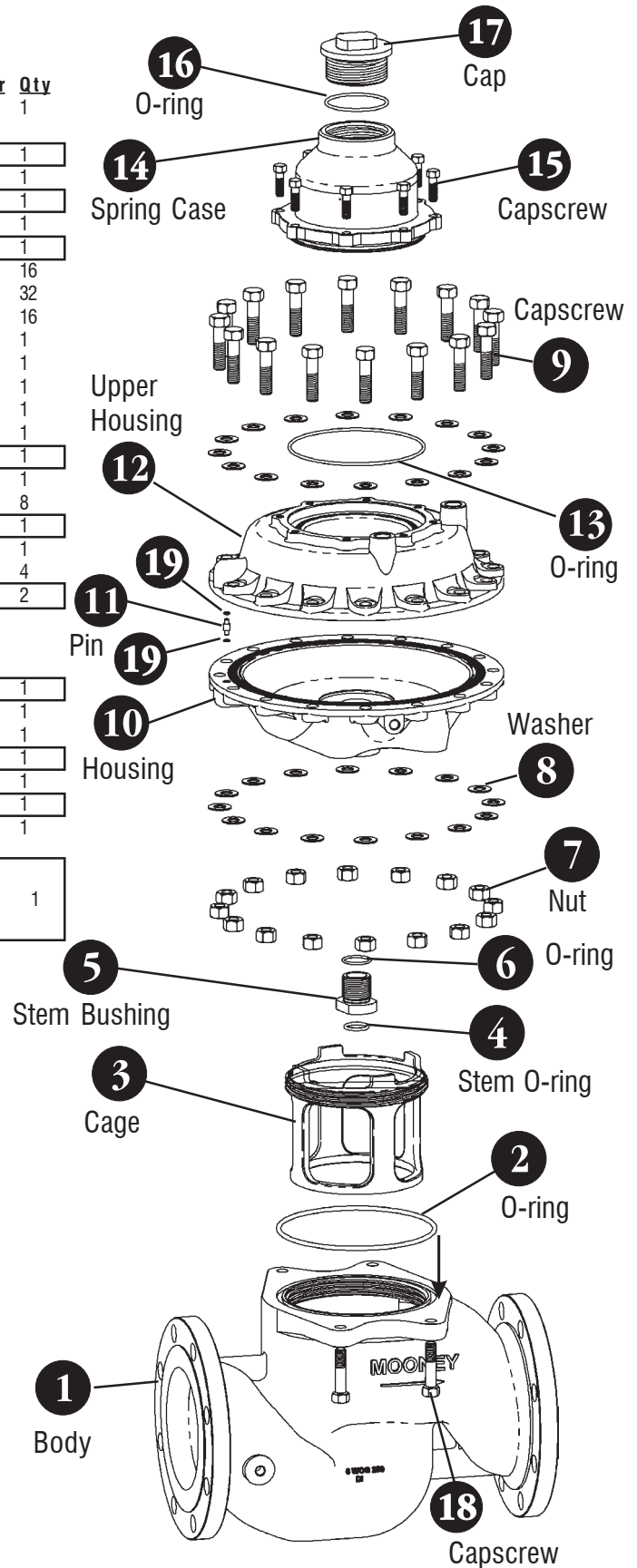
Boxed items indicate recommended spare parts

27	6" FlowMax Rebuild Kit (includes items 1,5,7,9,10,13 &19 from page 27)	-	136-090-01	1
----	---	---	------------	---

See Back Page for Internal Components



Optional Travel
Indicator Assembly



PARTS LIST - 6" FlowMax® Regulator

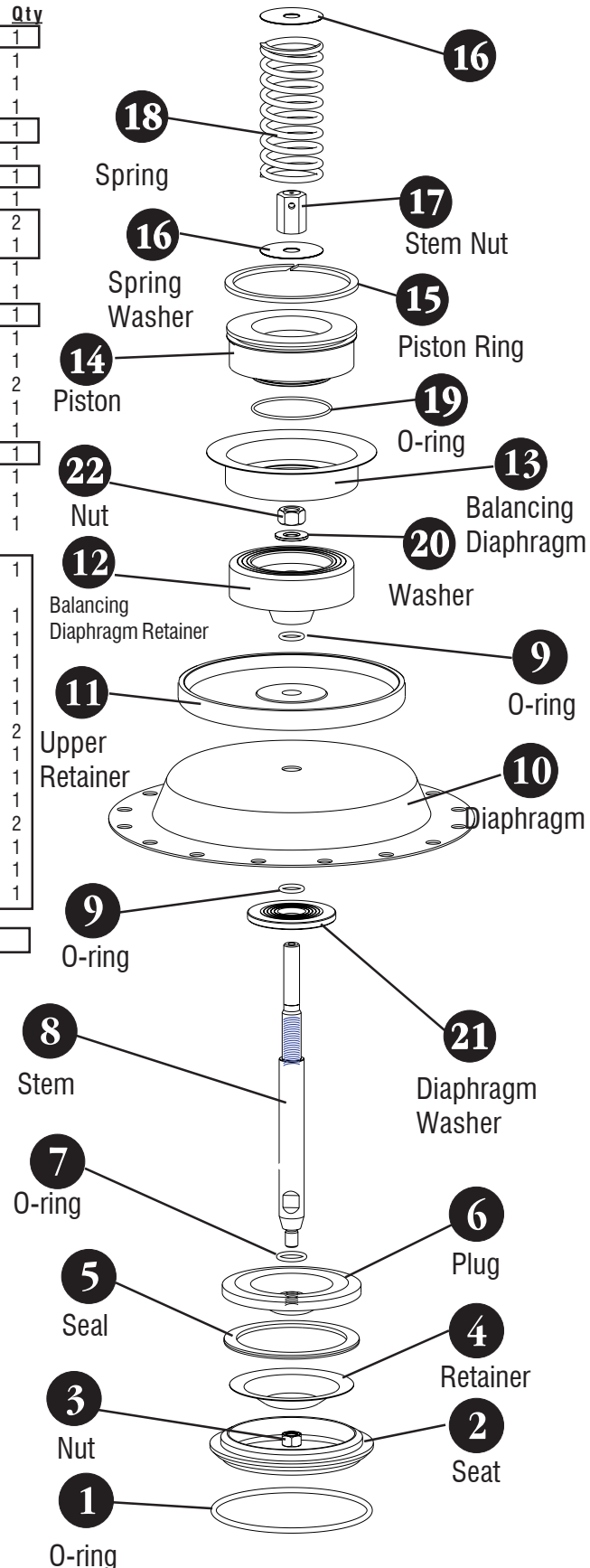
Internal Components

6"
FlowMax

Item	Description	Material	Part Number	Qty
1	Seat O-ring	Nitrile	021-259-01	1
2	Seat	Brass	136-005-01	1
3	Stem Nut	Steel/Nitrile	033-001-01	1
4	Plug Seal Retainer	SST	136-043-01	1
5	Plug Seal	Nitrile	136-042-01	1
6	Plug	Brass	136-041-01	1
7	Plug O-ring	Nitrile	021-212-01	1
8	Stem	SST	136-016-01	1
9	Main Diaphragm O-ring	Nitrile	021-210-01	2
10	Main Diaphragm	Nitrile/Nylon	136-038-01	1
11	Diaphragm Retainer - Upper	Aluminum	136-030-01	1
12	Balancing Diaphragm Retainer	Aluminum	136-027-01	1
13	Balancing Diaphragm	Nitrile/Nylon	136-039-01	1
14	Piston	Delrin®	136-033-01	1
15	Piston Ring	Nylon	136-034-01	1
16	Spring Washer	SST	034-011-01	2
17	Upper Stem Nut	Steel	136-018-01	1
18	Main Spring	Music Wire	040-028-01	1
19	Balancing Diaphragm O-ring	Nitrile	021-151-01	1
20	Balancing Diaphragm Washer	Steel	034-012-01	1
21	Main Diaphragm Washer	SST	136-031-01	1
22	Balancing Diaphragm Retainer Nut	SST	032-003-02	1
23	6" FlowMax O-Ring Kit		136-055-01	1
<i>Includes:</i>				
	Stem O-ring	Nitrile	021-214-01	1
	Bushing O-ring	Nitrile	021-124-01	1
	Spring Case Cap O-ring	Nitrile	021-232-01	1
	Seat O-ring	Nitrile	021-259-01	1
	Plug O-ring	Nitrile	021-212-01	1
	Main Diaphragm O-ring	Nitrile	021-210-01	2
	Indicator Stem O-ring	Nitrile	021-104-01	1
	Indicator Cover O-ring	Nitrile	021-112-01	1
	Balancing Diaphragm O-ring	Nitrile	021-260-01	1
	Alignment Pin O-ring	Nitrile	021-008-01	2
	Piston O-ring	Nitrile	021-151-01	1
	Body O-ring	Nitrile	021-367-01	1
	O-ring Lubricant (2 gram)	Silicon	025-006-01	1

Boxed items indicate recommended spare parts

©Delrin is a registered trademark of E.I. du Pont de Nemours and Company



PARTS LIST - Type 24 Restrictor

Includes: Type 24 (Steel) & 24S (Stainless Steel) Restrictor

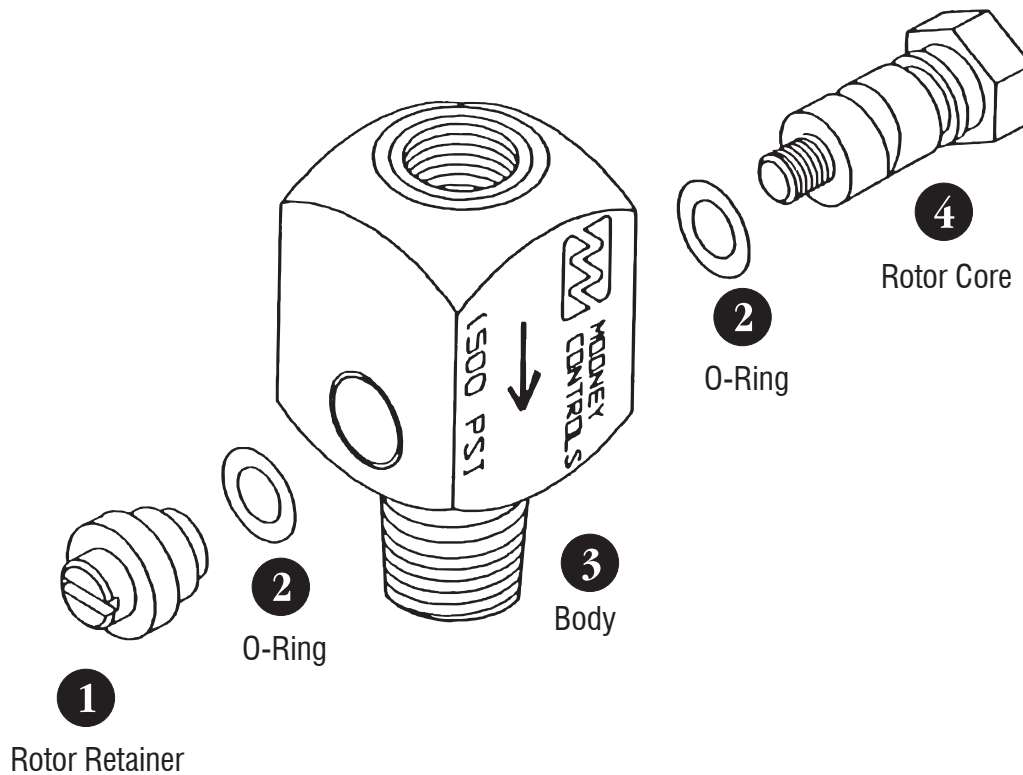
**Type
24/24S
Restrictor**

Item	Description	Material	Part Number	Quantity
1	Rotor Retainer	301 Stainless Steel	240-006-01	1
2	O-Ring			2
	Nitrile	Nitrile	021-011-01	
	Viton®	Viton®	021-011-02	
3	Restrictor Body			1
	Steel (Type 24) [†]	Carbon Steel (AISI 1215)	240-002-01	
	Stainless Steel (Type 24S) [†]	Stainless Steel	240-002-02	
4	Rotor Core			1
	Standard	301 Stainless Steel	240-007-01	
	Large Capacity	301 Stainless Steel	240-008-01	

Type 24 O-Ring Repair Kit includes two (2) O-rings (Nitrile Kit- p/n 240-004-01, Viton® Kit- p/n 240-004-02)

[†](Type *) indicates stock number for the Restrictor Assembly associated with each body

®Viton is a register trademark of E.I. du Pont de Nemours and Company



PARTS LIST - Type 30 Filter

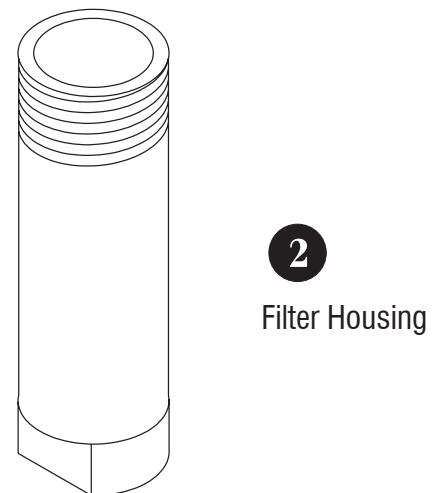
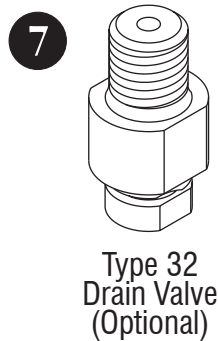
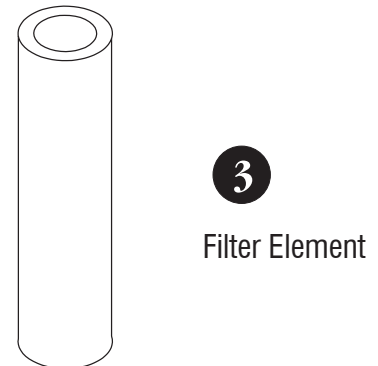
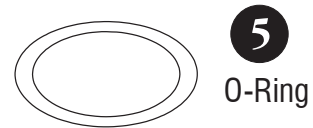
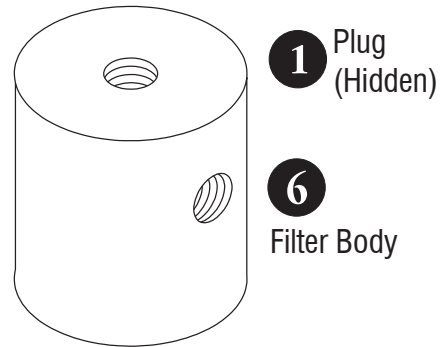
**Type 30/
30A/30S
Filter**

Includes: Type 30(Steel), Type 30A (Aluminum) and Type 30S (Stainless Steel) Filter

Item	Description	Material	Part Number	Quantity
1.	Plug	Stainless Steel	010-017-02	2
2	Filter Housing			1
	Carbon Steel (Type 30)	Carbon Steel (Type 30) [†]	301-004-03	
	Aluminum (Type 30A)	Aluminum (Type 30A) [†]	301-004-01	
	Stainless Steel (Type 30S)	Stainless Steel (Type 30S) [†]	301-004-02	
3	Filter Element	Polyethylene	301-005-01	1
4	Filter Guide	303 Stainless Steel	301-007-01	1
5	O-Ring	Nitrile	021-217-01	1
6	Filter Body			1
	Carbon Steel (Type 30)	Carbon Steel (Type 30) [†]	301-006-03	
	Aluminum (Type 30A)	Aluminum (Type 30A) [†]	301-006-01	
	Stainless Steel (Type 30S)	Stainless Steel (Type 30S) [†]	301-006-02	
7	Type 32 Drain Valve	Stainless Steel	Type 32	Opt.

Boxed items indicate recommended spare parts

[†](Type *) Indicates stock number for the filter assembly associated with each body and filter housing assembly

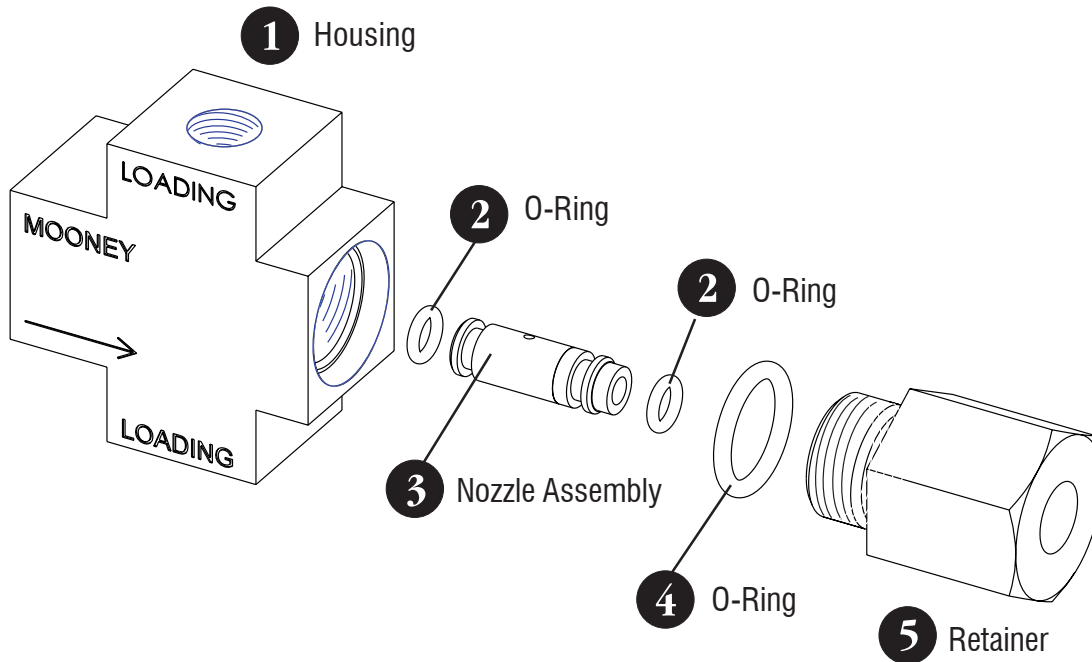


PARTS LIST - Type 26 Inspirator

**Type
26
Inspirator**

Item	Description	Material	Part Number	Quantity
1.	Inspirator Housing	Plated Carbon Steel	240-019-01	1
2	O-Ring	Nitrile	021-009-01	2
3	Nozzle Assembly	Stainless Steel	240-025-01	1
4	O-Ring	Nitrile	021-114-01	1
5	Inspirator Retainer	Plated Carbon Steel	240-016-01	1

Boxed items indicate recommended spare parts



PARTS LIST - Series 20 Pilot - Brass

20

Brass Pilot

Control Pressure Range: 3 - 450 PSI

Item	Description	Material	Part Number	Quantity
1	Body Insert Assembly	See Page 2	201-012-05	1
2	Body	Brass	201-002-01	1
3	Diaphragm Retainer	Stainless Steel	201-010-01	1
4	Diaphragm			1
	Nitrile/Nylon (Std)	Nitrile/Nylon	201-009-01	
	Viton®/Nylon	Viton®/Nylon	201-009-02	
5	Diaphragm Plate	Stainless Steel	201-011-04	1
6	Nut, Hex (5/16-18 UNC)	Stainless Steel	032-001-01	1
7	Spring Housing	Brass	201-005-01	1
8	Nameplate	Aluminum	201-021-02	1
9	Tag, Spring Range	Aluminum	201-026-01	1
10	Screw, Hex Head (5/16-18 UNC X 1 1/4" Gr 8)	Steel Plated	030-001-01	4
11	Spring, Main			1
	Red 3-12 PSI	Steel	040-014-01	
	Plated 10-40 PSI	Steel	040-011-01	
	Blue 25-90 PSI	Steel	040-012-01	
	Purple 60-200 PSI	Steel	040-008-01	
	Black 100-260 PSI	Steel	040-009-01	
	White w/ Green Stripe 200-450 PSI	Steel	040-020-01	
12	Spring Follower	Stainless Steel	201-020-01	1
13	O-Ring, Closing Cap*			1
	Nitrile (Std)	Nitrile	021-124-01	
	Viton®	Viton®	021-124-02	
14	Closing Cap	Brass	201-022-01	1
15	Nut, Self Sealing (1/2-20 UNC)	Steel/Nitrile	033-001-01	1
16	Spacer, Adjusting Screw†	Steel Plated	201-007-01	1
17	Adjusting Screw	Steel Plated	201-025-01	1
18	Cap			1
	Plastic (Std.)	ABS Plastic	501-050-01	
	Aluminum	Aluminum	201-023-02	
19	Type 22 Bug Vent	Stainless Steel	Type 22	1

Boxed items indicate recommended spare parts

20	Series 20 Pilot Repair Kit (Nitrile)	-	201-120-01	1
21	Series 20 Pilot Repair Kit (Viton)	-	201-120-02	1

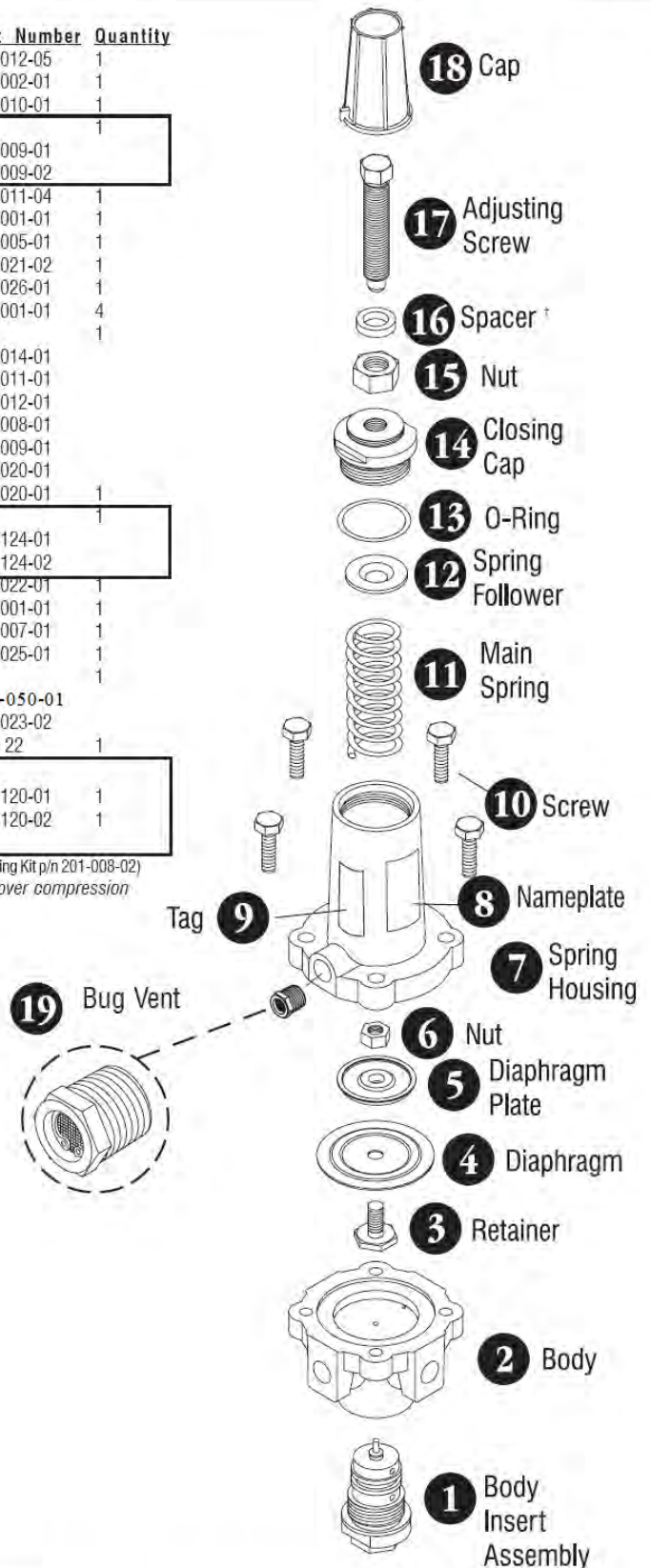
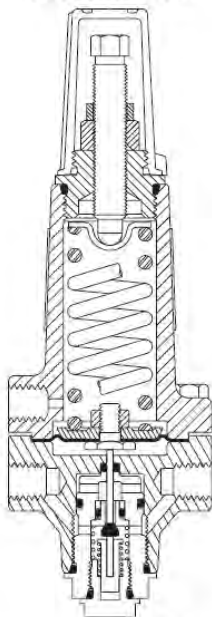
(Kits includes item 4 from page 31 and items 7 & 15 from page 32)

*All O-Rings are included in the Series 20 Pilot O-Ring Seal Kit (Nitrile O-ring Kit p/n 201-008-01, Viton® O-ring Kit p/n 201-008-02)

†Adjusting Screw Spacer required with the black & white/green main spring to prevent over compression

©Viton is a registered trademark of E.I. du Pont de Nemours and Company

Sectional View



PARTS LIST - Brass Body Insert Assembly

Brass
Body
Insert

Item	Description	Material	Part Number	Quantity
1	Pilot Function Sticker			1
	PRV (Pressure Reducing Valve)	Aluminum	201-033-01	
	BPV (Relief Valve)	Aluminum	201-033-02	
2	Bottom Cap	Brass	201-014-01	1
3	Bottom Cap O-Ring*			1
	Nitrile (Std)	Nitrile	021-112-01	
	Viton®	Viton®	021-112-02	
4	Orifice Spring	Stainless Steel	040-005-01	1
5	Return Spring	Stainless Steel	040-006-01	1
6	Stem Guide	Delrin®	201-063-01	1
7	Plug & Stem Assembly			1
	Stainless Steel/Nitrile (Std)	Stainless Steel/Nitrile	201-015-01	
	Stainless Steel/Viton®	Stainless Steel/Viton®	210-015-02	
8	Orifice			1
	.150 Orifice (Std)	Stainless Steel	201-019-01	
8a	.170 Orifice	Stainless Steel	201-045-01	
9	Orifice O-Ring*			1
	Nitrile (Std)	Nitrile	021-108-01	
	Viton®	Viton®	021-108-02	
10	Backup Washer	Stainless Steel	201-024-01	1
11	Body Insert	Brass	201-013-01	1
12	Body Insert O-Ring (Lower)*			1
	Nitrile (Std)	Nitrile	021-120-01	
	Viton®	Viton®	021-120-02	
13	Body Insert O-Ring (Upper)*			1
	Nitrile (Std)	Nitrile	021-117-02	
	Viton®	Viton®	021-117-01	
14	Stem O-Ring*			1
	Nitrile (Std)	Nitrile	021-103-01	
	Viton®	Viton®	021-103-02	

Optional Orifice Assembly

Recommended For Back Pressure (Relief) Applications Over 450 PSIG Setpoints

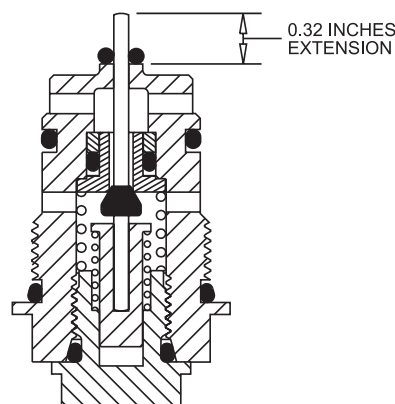
7	Plug & Stem Assembly	Stainless Steel	201-016-02	1
8	Orifice	Delrin®	201-028-01	1
9	Orifice O-Ring*			1
	Nitrile (Std)	Nitrile	021-011-01	
	Viton®	Viton®	021-011-02	
10	Backup Washer (Delrin Orifice)	Stainless Steel	201-029-01	1

Boxed items indicate recommended spare parts

15	O-Ring Kit (includes all necessary o-rings)			1
	Nitrile (Std)	Nitrile	201-008-01	
	Viton®	Viton®	201-008-02	

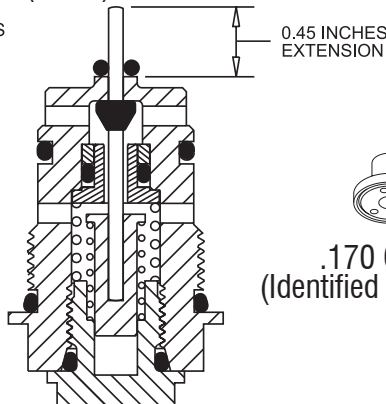
©Viton & Delrin are registered trademarks of E.I. du Pont de Nemours and Company

Pressure Reducing Mode



Sectional View

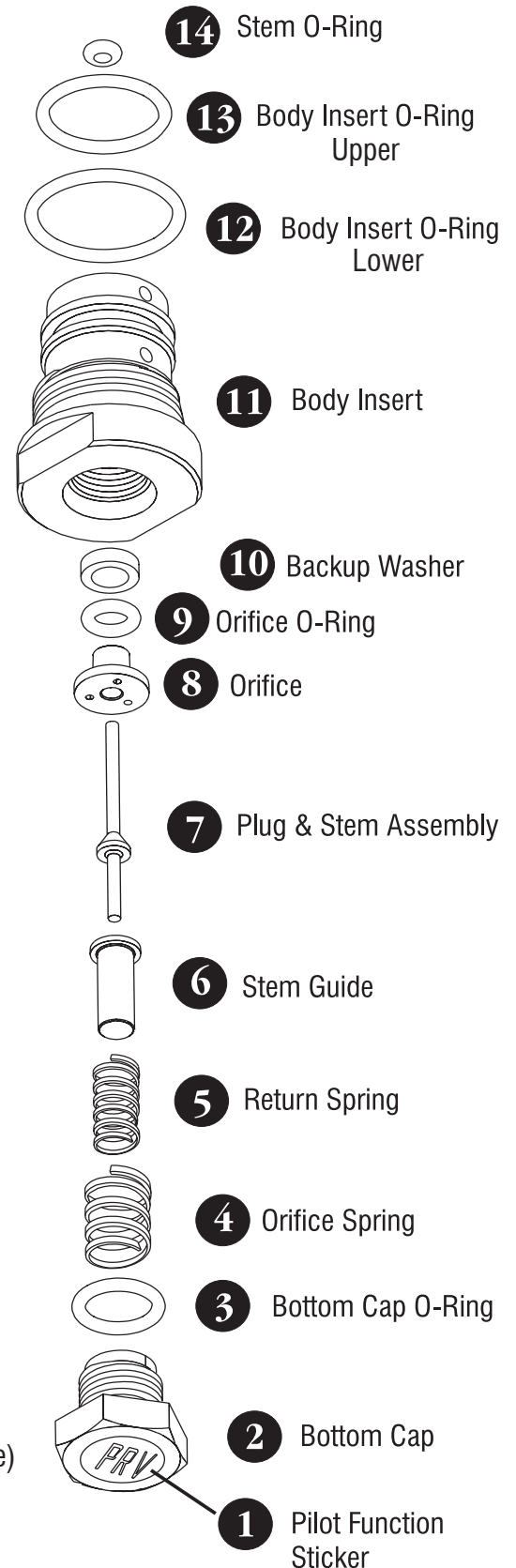
Back Pressure (Relief) Mode



Sectional View

8a

.170 Orifice
(Identified by Groove)



PARTS LIST - Series 20S Pilot - SST

Control Pressure Range: 3 - 450 PSI

20S

SST
Pilot

Item	Description	Material	Part Number	Quantity
1	Body Insert Assembly	See Page 2	201-012-10	1
2	Body	Stainless Steel	201-002-04	1
3	Diaphragm Retainer	Stainless Steel	201-010-01	1
4	Diaphragm			1
	Nitrile/Nylon (Std)	Nitrile/Nylon	201-009-01	
	Viton®/Nylon	Viton®/Nylon	201-009-02	
5	Diaphragm Plate	Stainless Steel	201-011-04	1
6	Nut, Hex 5/16-18 UNC	Stainless Steel	032-001-01	1
7	Spring Housing	Stainless Steel	201-005-04	1
8	Nameplate	Aluminum	201-021-02	1
9	Tag, Spring Range	Aluminum	201-026-01	1
10	Screw, Hex Head 5/16-18 UNC X 1 1/4" Gr B8s	Stainless Steel	030-008-01	4
11	Spring, Main			1
	Red 3-12 PSI	Steel	040-014-01	
	Plated 3-30 PSI	Steel	040-011-01	
	Blue 10-90 PSI	Steel	040-012-01	
	Purple 50-180 PSI	Steel	040-008-01	
	Black 100-260 PSI	Steel	040-009-01	
	White w/ Green Stripe 200-450 PSI	Steel	040-020-01	
12	Spring Follower	Stainless Steel	201-020-01	1
13	O-Ring, Closing Cap*			1
	Nitrile (Std)	Nitrile	021-124-01	
	Viton®	Viton®	021-124-02	
14	Closing Cap	Stainless Steel	201-022-04	1
15	Nut, Self Sealing 1/2-20 UNC	Steel/Nitrile	033-001-01	1
16	Spacer, Adjusting Screw†	Steel Plated	201-007-01	1
17	Adjusting Screw	Steel Plated	201-025-01	1
18	Cap			1
	Plastic (Std.)	ABS Plastic	501-050-01	
	Aluminum	Aluminum	201-023-02	
19	Type 22 Bug Vent	Stainless Steel	Type 22	1

Boxed items indicate recommended spare parts

20	Series 20 Pilot Repair Kit (Nitrile)	-	201-120-01	1
21	Series 20 Pilot Repair Kit (Viton)	-	201-120-02	1

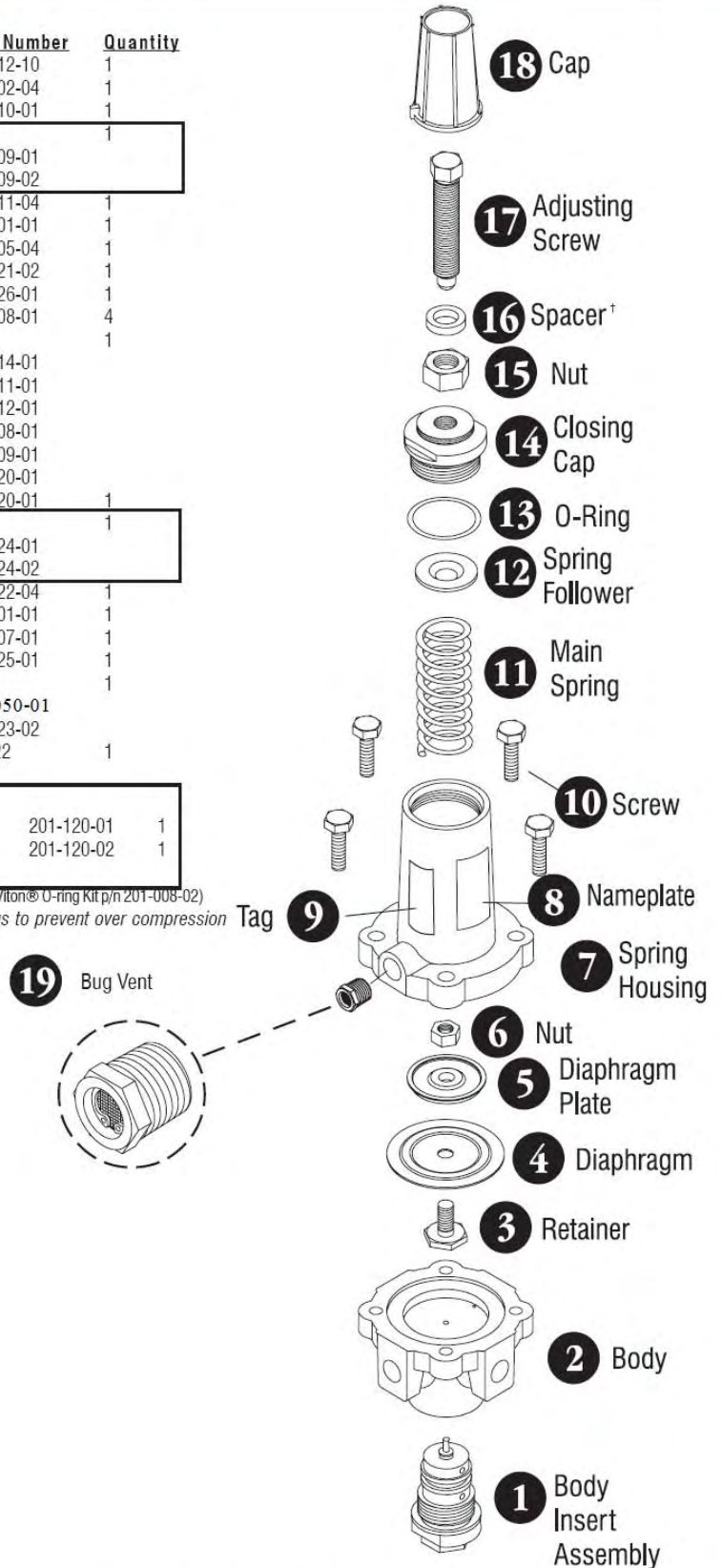
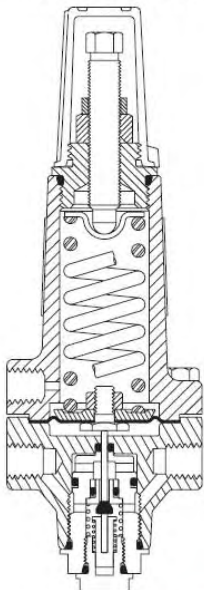
(Kits includes item 4 from page 33 and items 7 & 15 from page 34)

* All O-Rings are included in the Series 20 Pilot O-Ring Seal Kit (Nitrile O-ring Kit p/n 201-008-01, Viton® O-ring Kit p/n 201-008-02)

† Adjusting Screw Spacer required with the black and white-green main springs to prevent over compression

©Viton is a registered trademark of E.I. du Pont de Nemours and Company

Sectional View



PARTS LIST - Stainless Steel Body Insert Assembly

SST
Body
Insert

Item	Description	Material	Part Number	Quantity
1	Pilot Function Sticker			1
	PRV (Pressure Reducing Valve)	Aluminum	201-033-01	
	BPV (Relief Valve)	Aluminum	201-033-02	
2	Bottom Cap	Stainless Steel	201-014-04	1
3	Bottom Cap O-Ring*			1
	Nitrile (Std)	Nitrile	021-112-01	
	Viton®	Viton®	021-112-02	
4	Orifice Spring	Stainless Steel	040-005-01	1
5	Return Spring	Stainless Steel	040-006-01	1
6	Stem Guide	Delrin®	201-063-01	1
7	Plug & Stem Assembly			1
	Stainless Steel/Nitrile (Std)	Stainless Steel/Nitrile	201-015-01	
	Stainless Steel/Viton®	Stainless Steel/Viton®	210-015-02	
8	Orifice			1
	.150 Orifice (Std)	Stainless Steel	201-019-01	
8a	.170 Orifice	Stainless Steel	201-045-01	
9	Orifice O-Ring*			1
	Nitrile (Std)	Nitrile	021-108-01	
	Viton®	Viton®	021-108-02	
10	Backup Washer	Stainless Steel	201-024-01	1
11	Body Insert	Stainless Steel	201-013-04	1
12	Body Insert O-Ring (Lower)*			1
	Nitrile (Std)	Nitrile	021-120-01	
	Viton®	Viton®	021-120-02	
13	Body Insert O-Ring (Upper)*			1
	Nitrile (Std)	Nitrile	021-117-02	
	Viton®	Viton®	021-117-01	
14	Stem O-Ring*			1
	Nitrile (Std)	Nitrile	021-103-01	
	Viton®	Viton®	021-103-02	

Optional Orifice Assembly

Recommended For Back Pressure (Relief) Applications Over 450 PSIG Setpoints

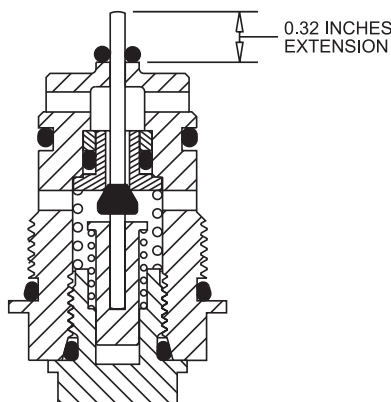
7	Plug & Stem Assembly	Stainless Steel	201-016-02	1
8	Orifice	Delrin®	201-028-01	1
9	Orifice O-Ring*			1
	Nitrile (Std)	Nitrile	021-011-01	
	Viton®	Viton®	021-011-02	
10	Backup Washer (Delrin® Orifice)	Stainless Steel	201-029-01	1

Boxed items indicate recommended spare parts

15	O-Ring Kit (includes all necessary o-rings)			1
	Nitrile (Std)	Nitrile	201-008-01	
	Viton®	Viton®	201-008-02	

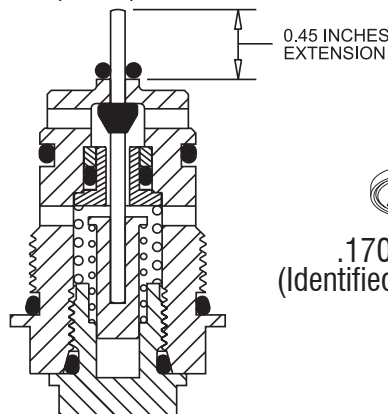
©Viton & Delrin are registered trademarks of E.I. du Pont de Nemours and Company

Pressure Reducing Mode

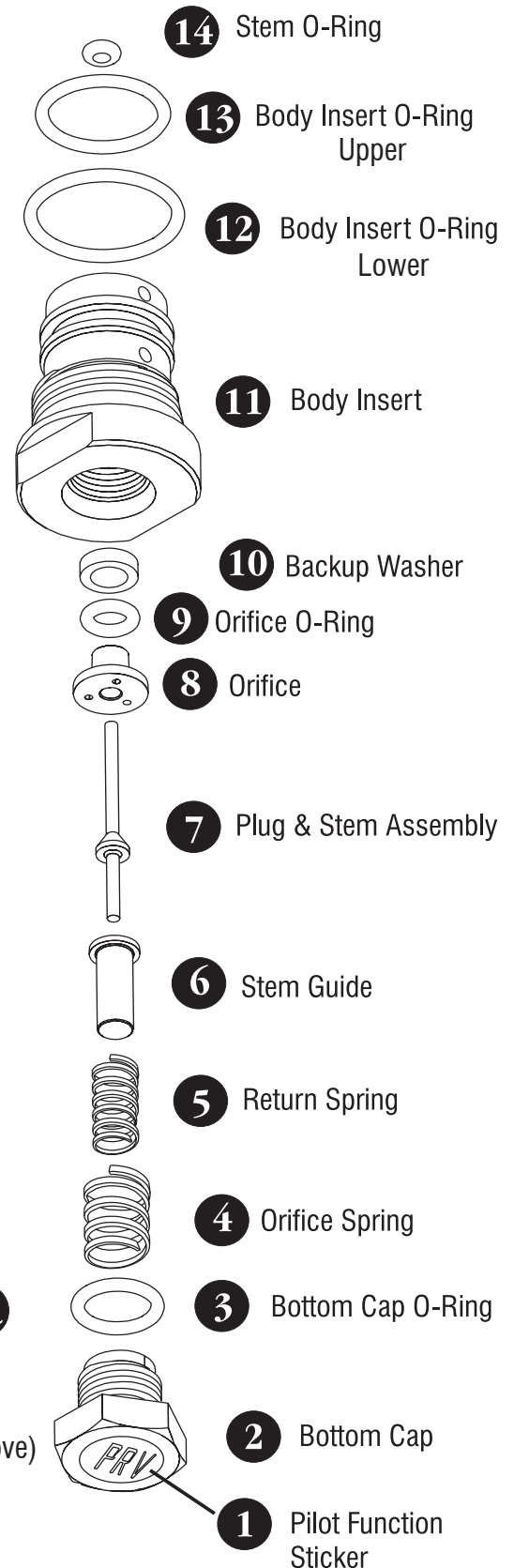


Sectional View

Back Pressure (Relief) Mode



Sectional View



PARTS LIST - Series 20H Brass Pilot

20H

Brass
Pilot

Control Pressure Range: 200 - 900 PSI

Item	Description	Material	Part Number	Quantity
1	Body Insert Assembly	See Page 2	201-012-05	1
2	Body	Brass	201-002-01	1
3	Diaphragm Retainer	Stainless Steel	201-010-01	1
4	Diaphragm	Nitrile/Nylon (Std)	201-038-01	1
		Viton®/Nylon	201-038-02	
5	Diaphragm Spacer Plate	Stainless Steel	201-037-01	1
6	O-Ring, Spacer Plate*	Nitrile (Std)	021-135-01	1
		Viton®	021-135-02	
7	Diaphragm Plate	Stainless Steel	201-039-04	1
8	Nut, Hex 5/16-18 UNC	Stainless Steel	032-001-01	1
9	Spring Housing	Brass	201-005-01	1
10	Nameplate	Aluminum	201-021-02	1
11	Tag, Spring Range	Aluminum	201-026-02	1
12	Screw, Hex Head 5/16-18 UNC X 1 1/4" Gr 8	Steel Plated	030-001-01	4
13	Spring, Main	Black 200-520 PSI	040-009-01	1
		White w/ Green Stripe 400-900 PSI	040-020-01	
14	Spring Follower	Stainless Steel	201-020-01	1
15	O-Ring, Closing Cap*	Nitrile (Std)	021-124-01	1
		Viton®	021-124-02	
16	Closing Cap	Brass	201-022-01	1
17	Nut, Self Sealing 1/2-20	Steel/Nitrile	033-001-01	1
18	Spacer, Adjusting Screw†	Steel Plated	201-007-01	1
19	Adjusting Screw	Steel Plated	201-025-01	1
20	Cap	Plastic (Std.)	501-050-01	1
		Aluminum	201-023-02	
21	Type 22 Bug Vent	Stainless Steel	Type 22	1

Boxed items indicate recommended spare parts

22	Series 20 Pilot Repair Kit (Nitrile)	-	201-121-01	1
23	Series 20 Pilot Repair Kit (Viton)	-	201-121-02	1

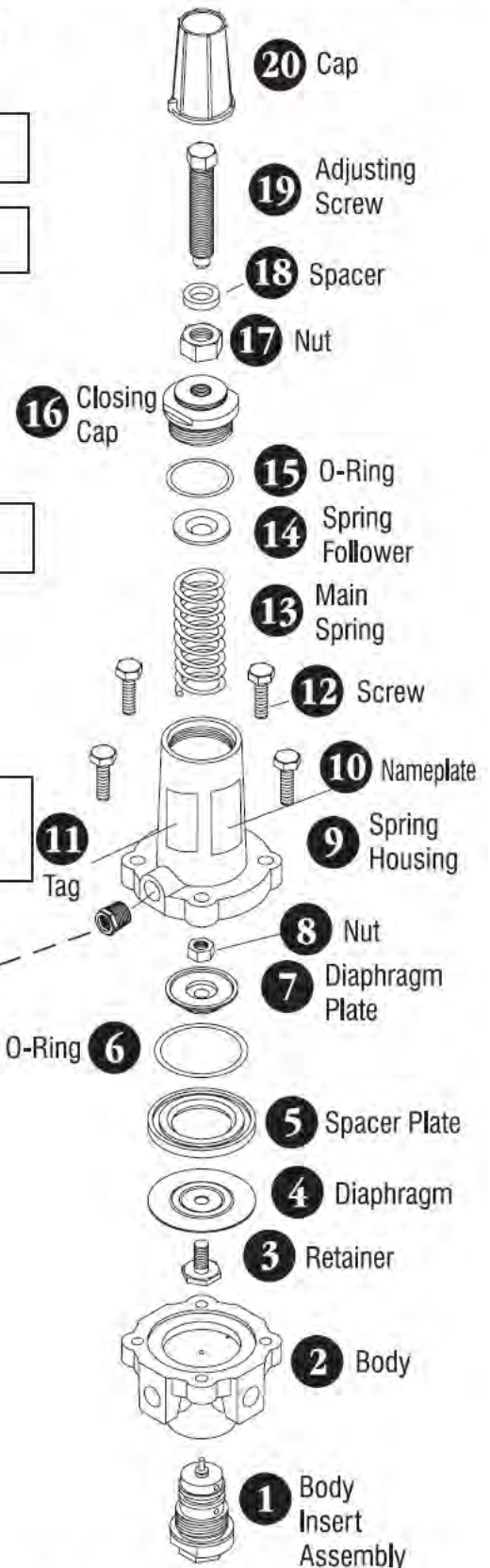
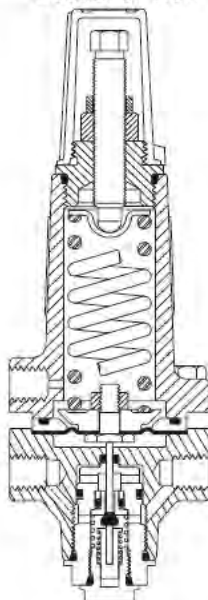
(Kits includes item 4 from page 33 and items 7 & 15 from page 34)

*All O-Rings are included in the Series 20 Pilot O-Ring Seal Kit (Nitrile Kit p/n 201-008-01, Viton® Kit p/n 201-008-02)

† Adjusting Screw Spacer required with the black and green main springs to prevent spring over compression

©Viton is a registered trademark of E.I. du Pont de Nemours and Company

Sectional View



21 Bug Vent

PARTS LIST - Brass Body Insert Assembly

Brass
Body
Insert

Item	Description	Material	Part Number	Quantity
1	Pilot Function Sticker PRV (Pressure Reducing Valve) BPV (Relief Valve)	Aluminum Aluminum	201-033-01 201-033-02	1
2	Bottom Cap	Brass	201-014-01	1
3	Bottom Cap O-Ring*			1
	Nitrile (Std)	Nitrile	021-112-01	
	Viton®	Viton®	021-112-02	
4	Orifice Spring	Stainless Steel	040-005-01	1
5	Return Spring	Stainless Steel	040-006-01	1
6	Stem Guide	Delrin®	201-063-01	1
7	Plug & Stem Assembly			1
	Stainless Steel/Nitrile (Std)	Stainless Steel/Nitrile	201-015-01	
	Stainless Steel/Viton®	Stainless Steel/Viton®	201-015-02	
8	Orifice			1
	.150 Orifice (Std)	304 Stainless Steel	201-019-01	
8a	.170 Orifice	304 Stainless Steel	201-045-01	
9	Orifice O-Ring*			1
	Nitrile (Std)	Nitrile	021-108-01	
	Viton®	Viton®	021-108-02	
10	Backup Washer	Stainless Steel	201-024-01	1
11	Body Insert	Brass	201-013-01	1
12	Body Insert O-Ring (Lower)*			1
	Nitrile (Std)	Nitrile	021-120-01	
	Viton®	Viton®	021-120-02	
13	Body Insert O-Ring (Upper)*			1
	Nitrile (Std)	Nitrile	021-117-02	
	Viton®	Viton®	021-117-01	
14	Stem O-Ring*			1
	Nitrile (Std)	Nitrile	021-103-01	
	Viton®	Viton®	021-103-02	

Optional Orifice Assembly

Recommended For Back Pressure (Relief) Applications Over 450 PSIG Setpoints

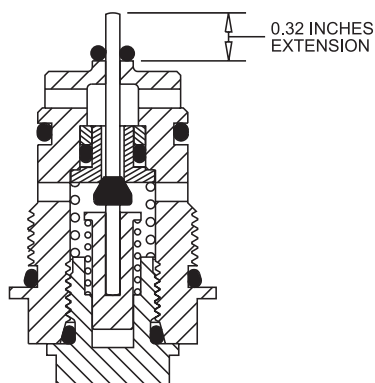
7	Plug & Stem Assembly	Stainless Steel	201-016-02	1
8	Orifice	Delrin®	201-028-01	1
9	Orifice O-Ring*			1
	Nitrile (Std)	Nitrile	021-011-01	
	Viton®	Viton®	021-011-02	
10	Backup Washer (Delrin® Orifice)	Stainless Steel	201-029-01	1

Boxed items indicate recommended spare parts

15	O-Ring Kit (includes all necessary o-rings)			1
	Nitrile (Std)	Nitrile	201-008-01	
	Viton®	Viton®	201-008-02	

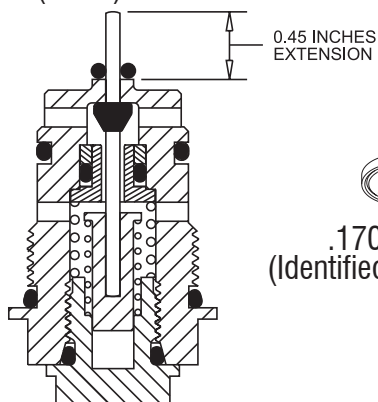
©Viton & Delrin are registered trademarks of E. I. du Pont de Nemours and Company

Pressure Reducing Mode



Sectional View

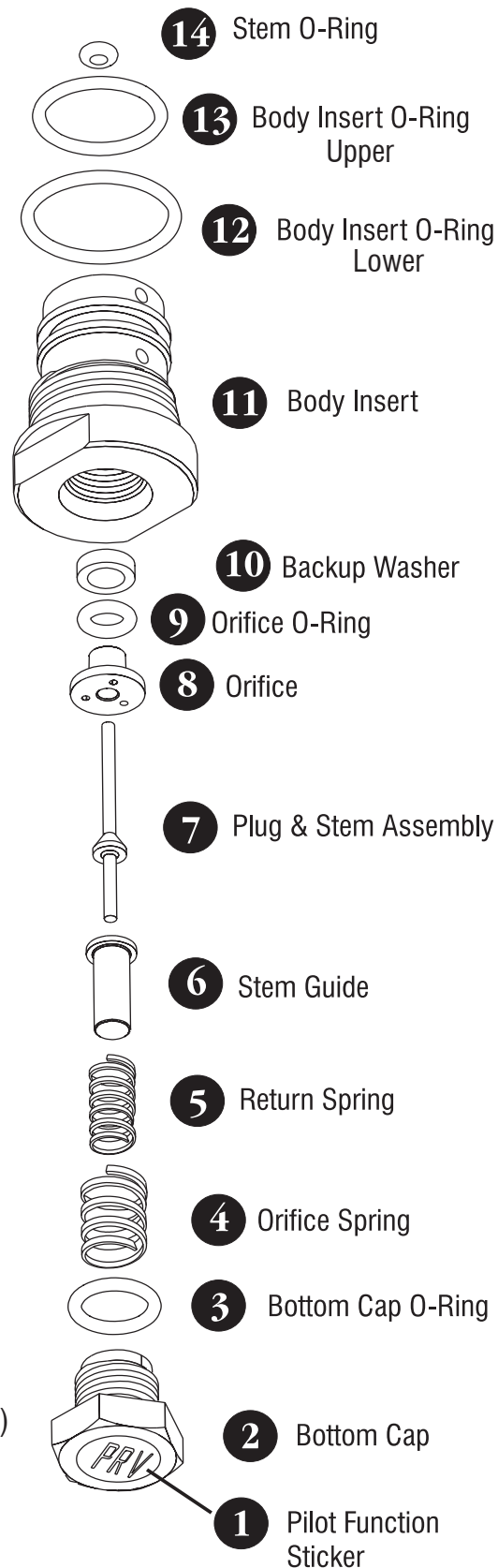
Back Pressure (Relief) Mode



Sectional View

8a

.170 Orifice
(Identified by Groove)



PARTS LIST - Series 20HS Pilot - SST

20HS

Control Pressure Range: 200 - 900 PSI

SST
Pilot

Item	Description	Material	Part Number	Quantity
1	Body Insert Assembly	See Page 2	201-012-10	1
2	Body	Stainless Steel	201-002-04	1
3	Diaphragm Retainer	Stainless Steel	201-010-01	1
4	Diaphragm			1
	Nitrile/Nylon (Std)	Nitrile/Nylon	201-038-01	
	Viton®/Nylon	Viton®/Nylon	201-038-02	
5	Diaphragm Spacer Plate	Stainless Steel	201-037-01	1
6	O-Ring, Spacer Plate*			1
	Nitrile	Nitrile	021-135-01	
	Viton®	Viton®	021-135-02	
7	Diaphragm Plate	Stainless Steel	201-039-04	1
8	Nut, Hex 5/16-18 UNC	Stainless Steel	032-001-01	1
9	Spring Housing	Stainless Steel	201-005-04	1
10	Nameplate	Aluminum	201-021-02	1
11	Tag, Spring Range	Aluminum	201-026-02	1
12	Screw, Hex Head 5/16-18 UNC X 1 1/4" Gr 8	Stainless Steel	030-008-01	4
13	Spring, Main			1
	Black 200-520 PSI	Steel	040-009-01	
	White w/ Green Stripe 400-900 PSI	Steel	040-020-01	
14	Spring Follower	Stainless Steel	201-020-01	1
15	O-Ring, Closing Cap*			1
	Nitrile (Std)	Nitrile	021-124-01	
	Viton®	Viton®	021-124-02	
16	Closing Cap	Stainless Steel	201-022-04	1
17	Nut, Self Sealing 1/2-20 UNC	Steel/Nitrile	033-001-01	1
18	Spacer, Adjusting Screw*	Steel Plated	201-007-01	1
19	Adjusting Screw	Steel Plated	201-025-01	1
20	Cap			1
	Plastic (Std.)	ABS Plastic	501-050-01	
	Aluminum	Aluminum	201-023-02	
21	Type 22 Bug Vent	Stainless Steel	Type 22	1

Boxed items indicate recommended spare parts

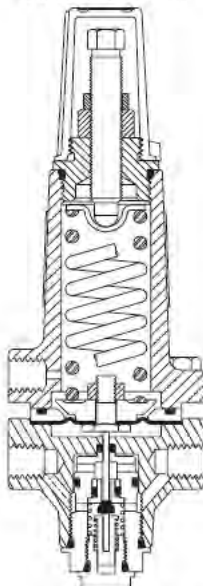
22	Series 20 Pilot Repair Kit (Nitrile)	-	201-121-01	1
23	Series 20 Pilot Repair Kit (Viton)	-	201-121-02	1

(Kits includes item 4 from page 37 and items 7 & 15 from page 38)

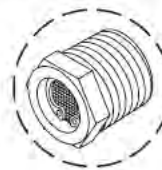
* Adjusting Screw Spacer required with the black and green main springs to prevent over compression

®Viton is a registered trademark of E. I. du Pont de Nemours and Company

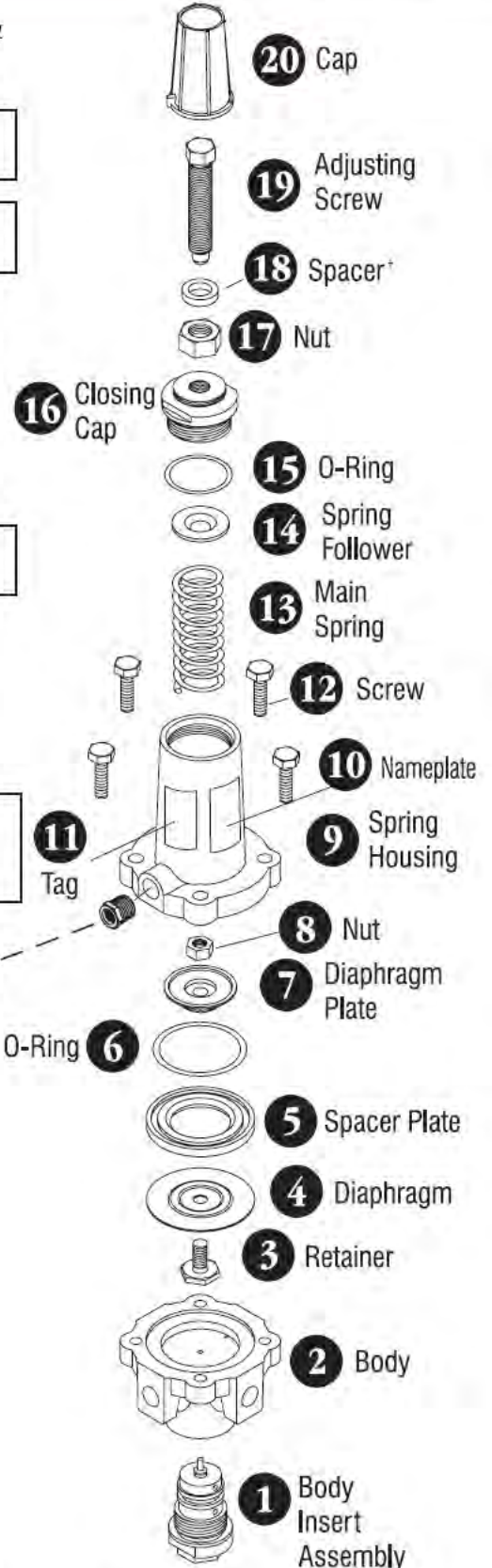
Sectional View



21
Bug Vent



O-Ring **6**



PARTS LIST - Stainless Steel Body Insert Assembly

SST
Body
Insert

Item	Description	Material	Part Number	Quantity
1	Pilot Function Sticker			1
	PRV (Pressure Reducing Valve)	Aluminum	201-033-01	
	BPV (Relief Valve)	Aluminum	201-033-02	
2	Bottom Cap	Stainless Steel	201-014-01	1
3	Bottom Cap O-Ring*			1
	Nitrile (Std)	Nitrile	021-112-01	
	Viton®	Viton®	021-112-02	
4	Orifice Spring	Stainless Steel	040-005-01	1
5	Return Spring	Stainless Steel	040-006-01	1
6	Stem Guide	Delrin®	201-063-01	1
7	Plug & Stem Assembly			1
	Stainless Steel/Nitrile (Std)	Stainless Steel/Nitrile	201-015-01	
	Stainless Steel/Viton®	Stainless Steel/Viton®	201-015-02	
8	Orifice			1
	.150 Orifice (Std)	304 Stainless Steel	201-019-01	
	.170 Orifice	304 Stainless Steel	201-045-01	
9	Orifice O-Ring*			1
	Nitrile (Std)	Nitrile	021-108-01	
	Viton®	Viton®	021-108-02	
10	Backup Washer	304 Stainless Steel	201-024-01	1
11	Body Insert	Stainless Steel	201-013-04	1
12	Body Insert O-Ring (Lower)*			1
	Nitrile (Std)	Nitrile	021-120-01	
	Viton®	Viton®	021-120-02	
13	Body Insert O-Ring (Upper)*			1
	Nitrile (Std)	Nitrile	021-117-02	
	Viton®	Viton®	021-117-01	
14	Stem O-Ring*			1
	Nitrile (Std)	Nitrile	021-103-01	
	Viton®	Viton®	021-103-02	

Optional Orifice Assembly

Recommended For Back Pressure (Relief) Applications Over 450 PSIG Setpoints

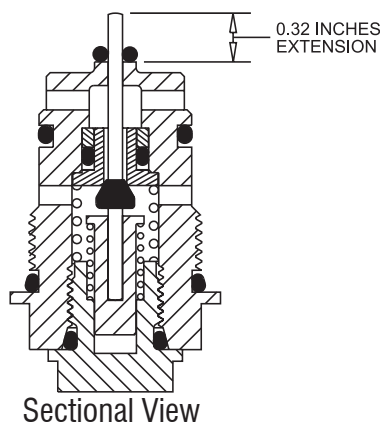
6	Plug & Stem Assembly	Stainless Steel	201-016-02	1
7	Orifice	Delrin®	201-028-01	1
8	Orifice O-Ring*			1
	Nitrile (Std)	Nitrile	021-011-01	
	Viton®	Viton®	021-011-02	
9	Backup Washer (Delrin® Orifice)	Stainless Steel	201-029-01	1

Boxed items indicate recommended spare parts

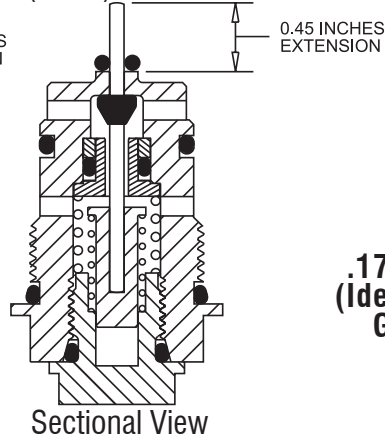
15	O-Ring Kit (includes all necessary o-rings)			1
	Nitrile (Std)	Nitrile	201-008-01	
	Viton®	Viton®	201-008-02	

©Viton & Delrin are registered trademarks of E.I. du Pont de Nemours and Company

Pressure Reducing Mode

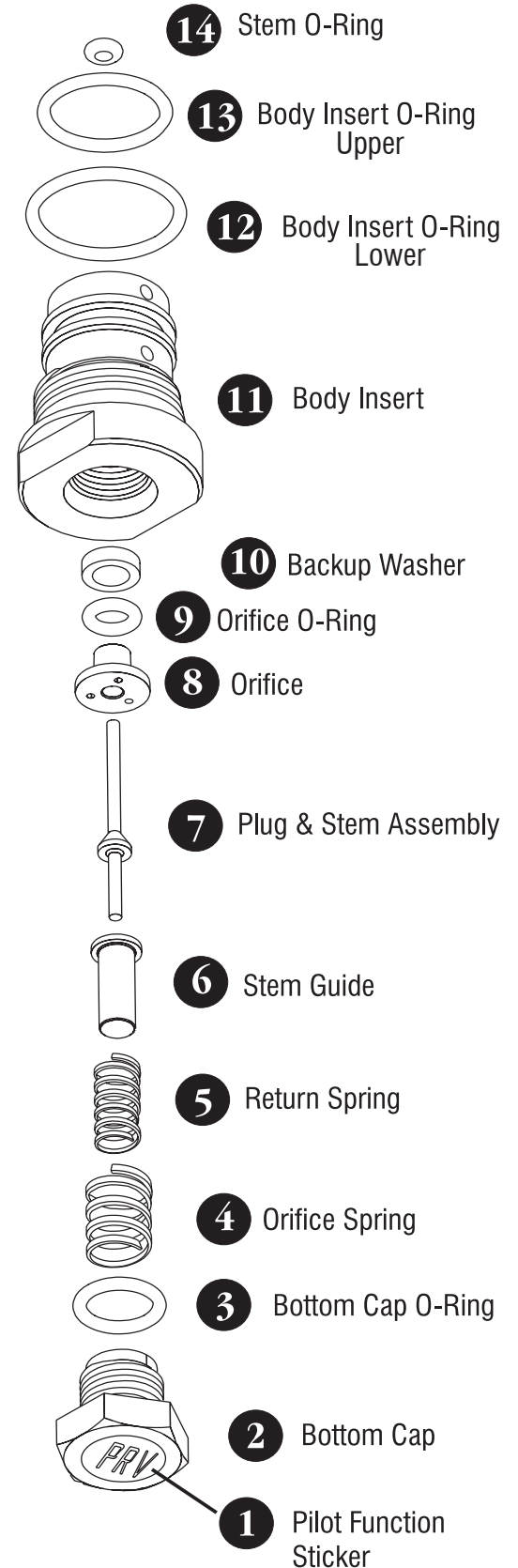


Back Pressure (Relief) Mode



8a

.170 Orifice
(Identified by
Groove)



PARTS LIST - Series 20L Bronze Pilot

20L

Bronze Pilot

Control Pressure Range: 5 I.W.C. - 8 PSI

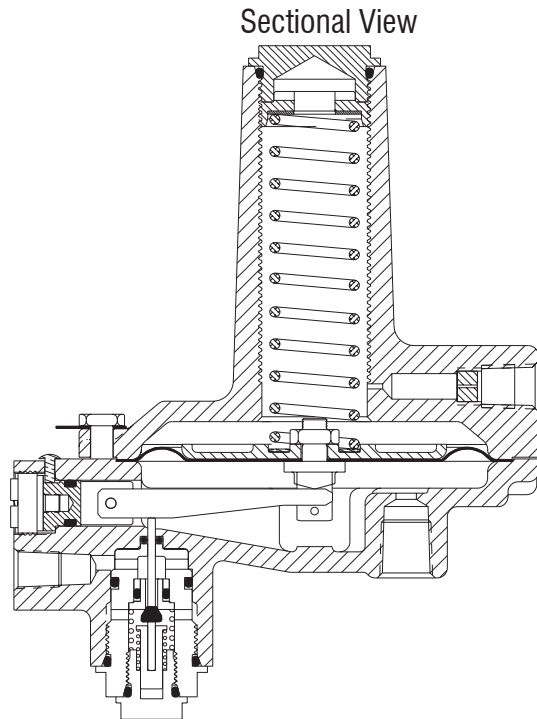
Item	Description	Material	Part Number	Quantity
1	Body Insert Assembly	See Page 2	201-012-05	1
2	Body	Bronze	205-004-01	1
3	Threaded Plug	Brass	205-008-01	1
4	Pivot Plug	Brass	205-010-01	1
5	Pivot O-Ring*	Nitrile	021-110-01	1
6	Lever	Zinc Plated Steel	205-005-01	1
7	Pivot Pin	Stainless Steel	035-004-01	1
8	Drive Screw	Stainless Steel	030-016-01	1
9	Roll Pin	Stainless Steel	035-005-01	1
10	Diaphragm Retainer	303 Stainless Steel	205-011-01	1
11	Diaphragm	Nitrile/Nylon	205-002-01	1
12	Diaphragm Plate	Anodized Aluminum	205-009-01	1
13	Nut, Hex (5/16-18 UNC)	Stainless Steel	032-001-01	1
14	Nameplate	Aluminum	205-016-01	1
15	Spring Housing	Bronze	205-003-01	1
16	Vent Orifice	Stainless Steel	205-019-01	1
17	Cap Screw (5/16-18 UNC x 1)	Stainless Steel	030-017-01	8
18	Spring Washer	Stainless Steel	034-003-01	2
19	Spring, Main			1
	White 5-15 I.W.C.	Steel	040-015-01	
	Brown 10-40 I.W.C.	Steel	040-016-01	
	Yellow 1-3 PSI	Steel	040-017-01	
	Orange 2-5 PSI	Steel	040-018-01	
	Gray 4-8 PSI	Steel	040-019-01	
20	Spring Adjuster	Anodized Aluminum	205-013-01	1
21	O-Ring, Closing Cap*	Nitrile	021-124-01	1
22	Closing Cap	Brass	205-012-01	1
23	Tag, Spring Range	Aluminum	205-015-01	1
24	Type 22 Bug Vent	Stainless Steel	Type 22	1

Boxed items indicate recommended spare parts

24	Series 20 Pilot Repair Kit (Nitrile)	-	205-025-01	1
----	--------------------------------------	---	------------	---

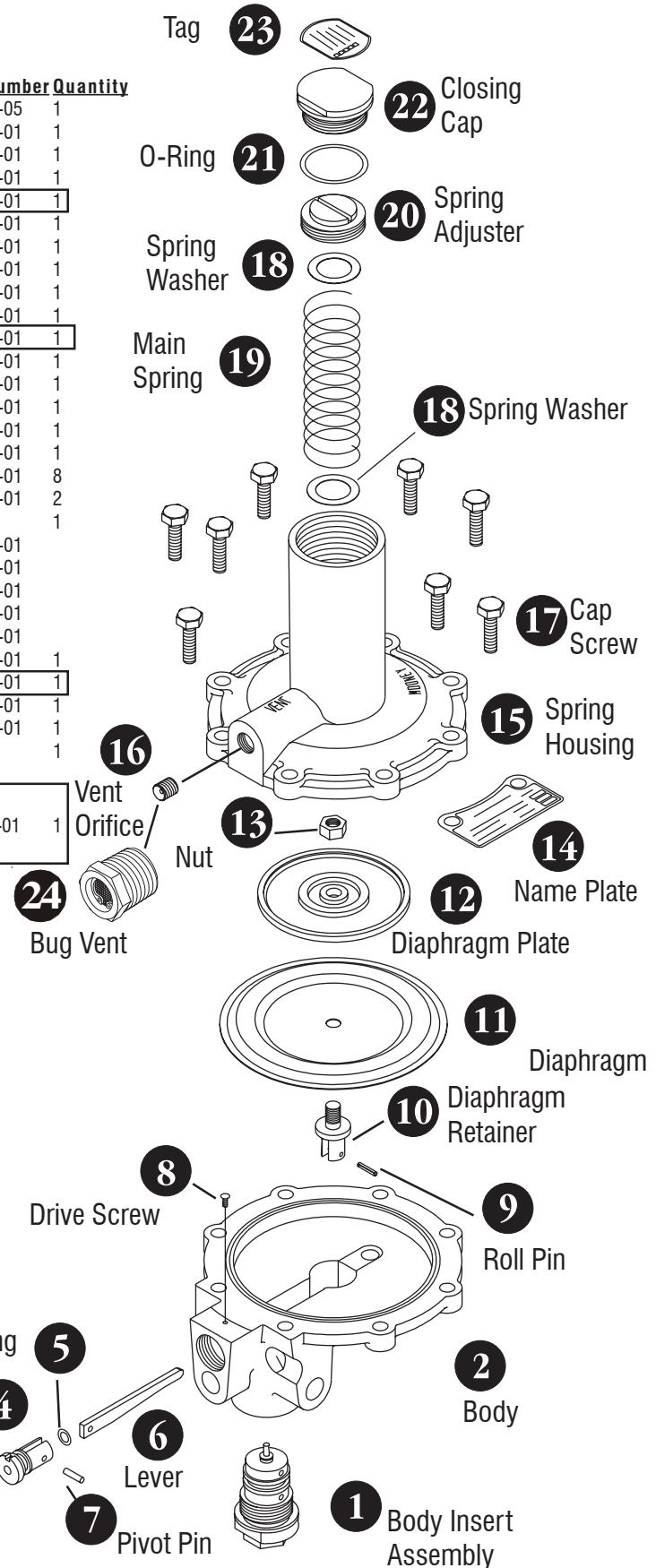
(includes item 11 from page 39 and items 7 & 15 from page 40)

*All O-Rings are included in the Series 20 Pilot Nitrile O-Ring Seal Kit, p/n 201-008-01



730-075-03 (04/03)

• 40 West Gregson Avenue • Salt Lake City, Utah 84115 • 801-487-2225

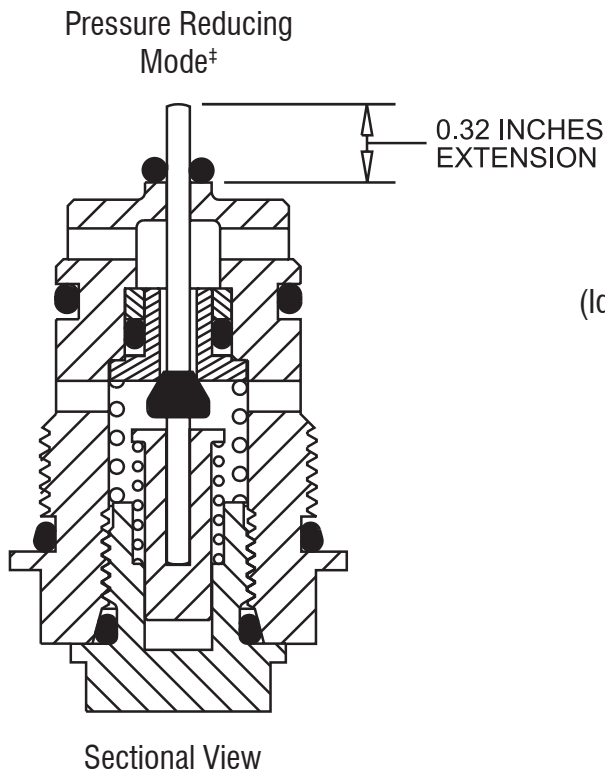


PARTS LIST - Brass Body Insert Assembly

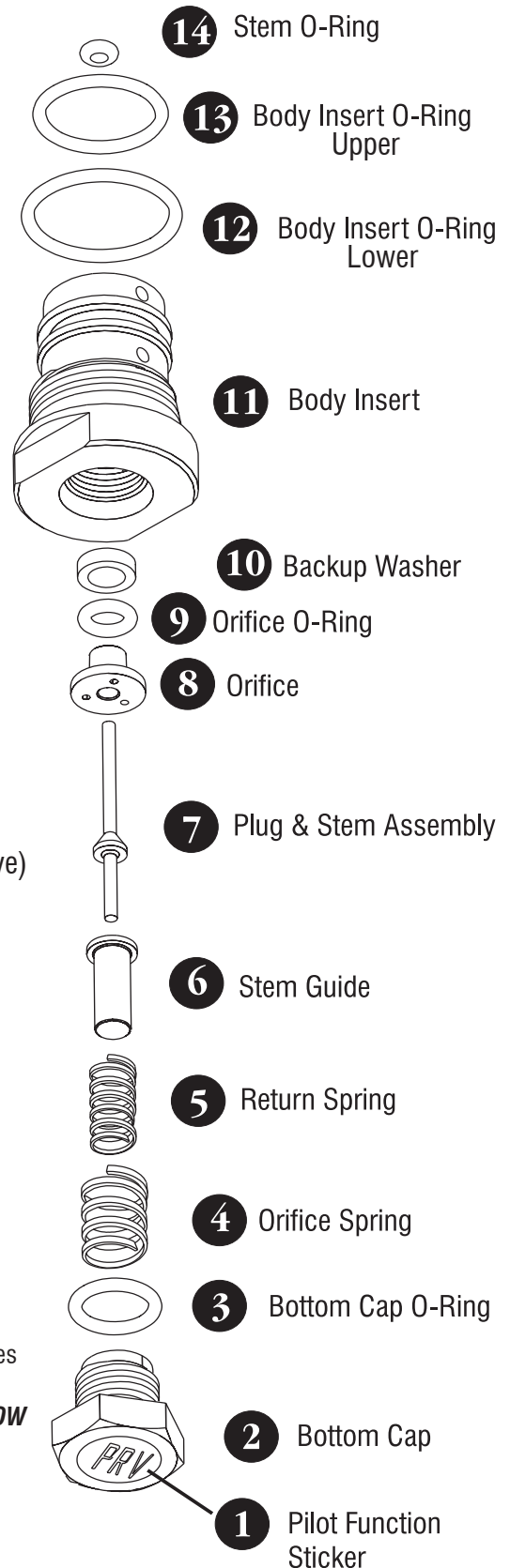
Brass
Body
Insert

Item	Description	Material	Part Number	Quantity
1	Pilot Function Sticker (PRV)	Aluminum	201-033-01	1
2	Bottom Cap	Brass	201-014-01	1
3	Bottom Cap O-Ring*	Nitrile	021-112-01	1
4	Orifice Spring	Stainless Steel	040-005-01	1
5	Return Spring	Stainless Steel	040-006-01	1
6	Stem Guide	Delrin®	201-063-01	1
7	Plug & Stem Assembly	Stainless Steel/Nitrile	201-015-01	1
8	Orifice			1
	.150 Orifice (Std)	Stainless Steel	201-019-01	
8a	.170 Orifice	Stainless Steel	201-045-01	
9	Orifice O-Ring*	Nitrile	021-108-01	1
10	Backup Washer	Stainless Steel	201-024-01	1
11	Body Insert	Brass	201-013-01	1
12	Body Insert O-Ring (Lower)*	Nitrile	021-120-01	1
13	Body Insert O-Ring (Upper)*	Nitrile	021-117-02	1
14	Stem O-Ring*	Nitrile	021-103-01	1
Boxed items indicate recommended spare parts				
15	O-Ring Kit(includes all necessary o-rings)			1
	Nitrile (Std)	Nitrile	201-008-01	

® Delrin is a registered trademark of E.I. du Pont de Nemours and Company



† Note: The Series 20L-Bronze Pilot uses the same Brass Insert Assembly as the Series 20 & 20H Pilots. This assembly **MAY NOT** be used in the Back Pressure (BPV / Relief) mode to control the Flowgrid® Valve because the Series 20L Pilot set point range is **BELOW** the minimum differential required to open the Flowgrid® Valve.



PARTS LIST - Series 20L Aluminum Pilot

20L

Aluminum Pilot

Control Pressure Range: 5 I.W.C. - 8 PSI

Item	Description	Material	Part Number	Quantity
1	Body Insert Assembly	See Page 2	201-012-03	1
2	Body	Aluminum	205-004-02	1
3	Threaded Plug	Aluminum	205-008-02	1
4	Pivot Plug	Aluminum	205-010-02	1
5	Pivot O-Ring*	Nitrile	021-110-01	1
6	Lever	Zinc Plated Steel	205-005-01	1
7	Pivot Pin	Stainless Steel	035-004-01	1
8	Drive Screw	Stainless Steel	030-016-01	1
9	Roll Pin	Stainless Steel	035-005-01	1
10	Diaphragm Retainer	Stainless Steel	205-011-01	1
11	Diaphragm	Nitrile/Nylon	205-002-01	1
12	Diaphragm Plate	Anodized Aluminum	205-009-01	1
13	Nut, Hex 5/16-18 UNC	Stainless Steel	032-001-01	1
14	Nameplate	Aluminum	205-016-01	1
15	Spring Housing	Aluminum	205-003-02	1
16	Vent Orifice	Stainless Steel	205-019-01	1
17	Cap Screw (5/16-18 UNC x 1)	Stainless Steel	030-017-01	8
18	Spring Washer	Stainless Steel	034-003-01	2
19	Spring, Main			1
	White 5-15 I.W.C.	Steel	040-015-01	
	Brown 10-40 I.W.C.	Steel	040-016-01	
	Yellow 1-3 PSI	Steel	040-017-01	
	Orange 2-5 PSI	Steel	040-018-01	
	Gray 4-8 PSI	Steel	040-019-01	
20	Spring Adjuster	Anodized Aluminum	205-013-01	1
21	O-Ring, Closing Cap*	Nitrile	021-124-01	1
22	Closing Cap	Aluminum	205-012-02	1
23	Tag, Spring Range	Aluminum	205-015-01	1
24	Type 22 Bug Vent	Stainless Steel	Type 22	1

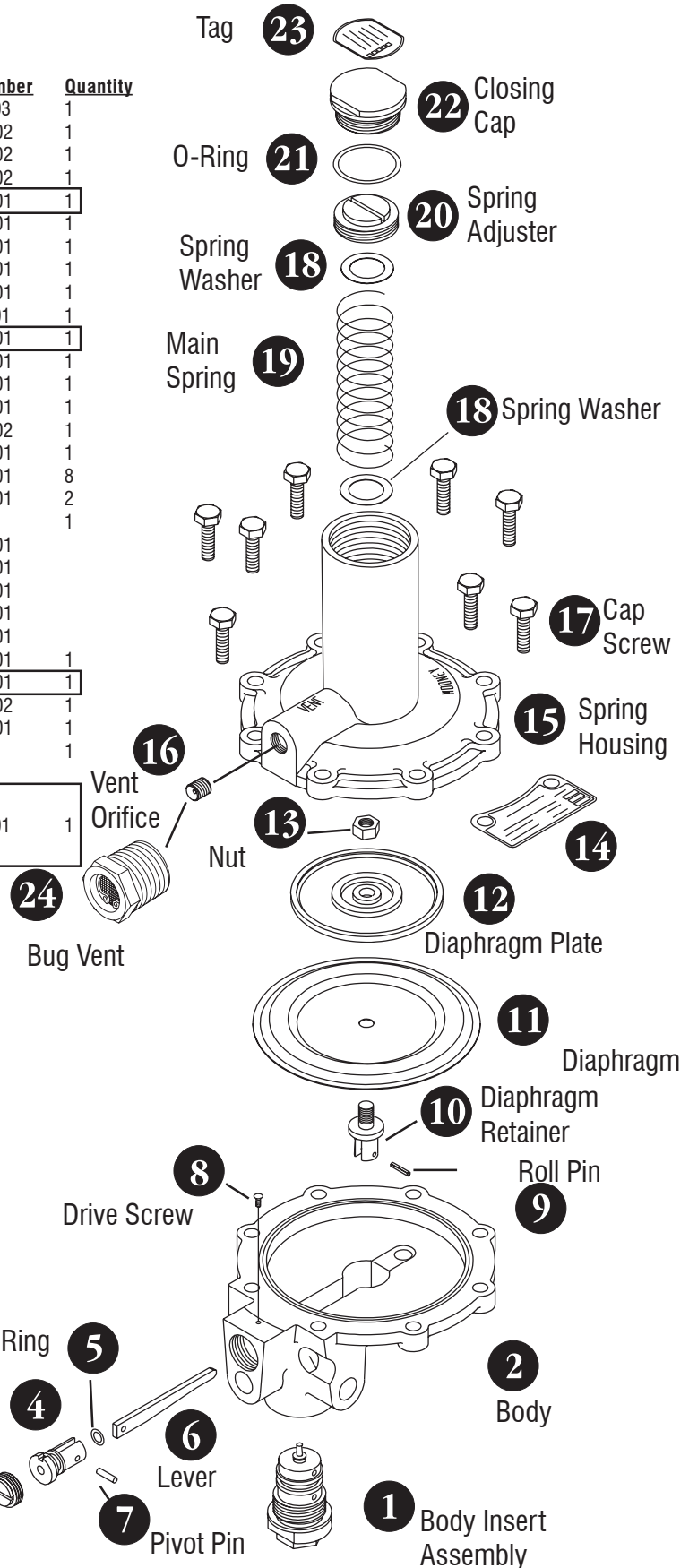
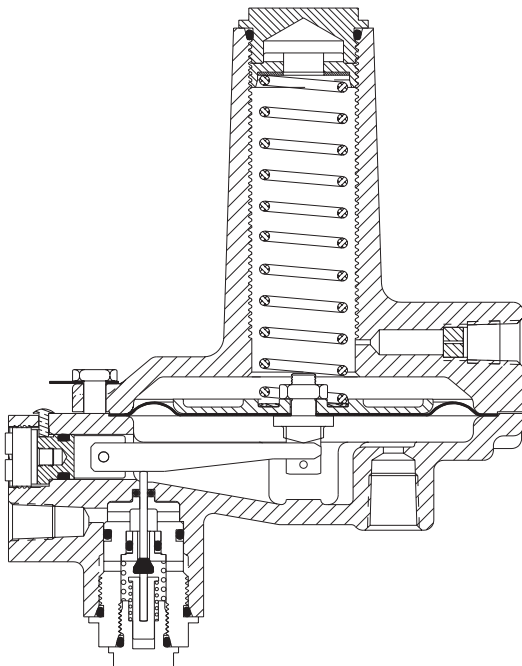
Boxed items indicate recommended spare parts

25	Series 20 Pilot Repair Kit (Nitrile) -	205-025-01	1
----	--	------------	---

(includes item 11 from page 41 and items 7 & 15 from page 42)

*All O-Rings are included in the Series 20 Pilot Nitrile O-Ring Seal Kit, p/n 201-008-01

Sectional View



PARTS LIST - Aluminum Body Insert Assembly

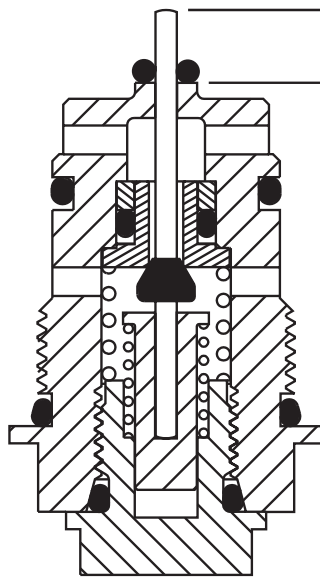
Aluminum
Body Insert

Item	Description	Material	Part Number	Quantity
1	Pilot Function Sticker (PRV)	Aluminum	201-033-01	1
2	Bottom Cap	Aluminum	201-014-02	1
3	Bottom Cap O-Ring*	Nitrile	021-112-01	1
4	Orifice Spring	Stainless Steel	040-005-01	1
5	Return Spring	Stainless Steel	040-006-01	1
6	Stem Guide	Delrin®	201-018-01	1
7	Plug & Stem Assembly	Stainless Steel/Nitrile	201-015-01	1
8	Orifice			1
	.150 Orifice (Std)	Stainless Steel	201-019-01	
8a	.170 Orifice	Stainless Steel	201-045-01	
9	Orifice O-Ring*	Nitrile	021-108-01	1
10	Backup Washer	Stainless Steel	201-024-01	1
11	Body Insert	Aluminum	201-013-02	1
12	Body Insert O-Ring (Lower)*	Nitrile	021-120-01	1
13	Body Insert O-Ring (Upper)*	Nitrile	021-117-02	1
14	Stem O-Ring*	Nitrile	021-103-01	1

Boxed items indicate recommended spare parts				
15	O-Ring Kit (includes all necessary o-rings)			1
	Nitrile (Std)	Nitrile	201-008-01	

©Delrin is a registered trademark of E.I. du Pont de Nemours and Company

Pressure Reducing Mode[‡]

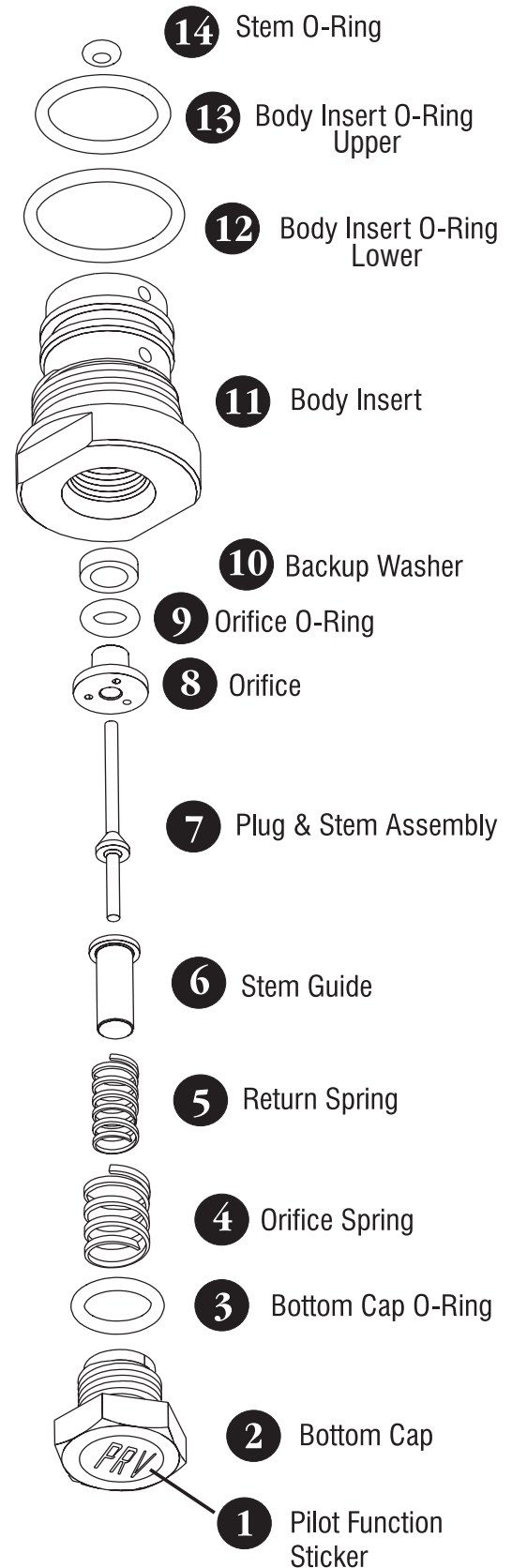


Sectional View

0.32 INCHES
EXTENSION



.170 Orifice
(Identified by Groove)



[‡] Note: The Series 20L-Aluminum Pilot **MAY NOT** be used in the Back Pressure (BPV / Relief) mode to control the Flowgrid® Valve because the Series 20L Pilot set point range is **BELOW** the minimum differential required to open the Flowgrid® Valve.

PARTS LIST - Series 20 & 20L Pilot to Actuator Mounting Hardware

Pilot /
Actuator

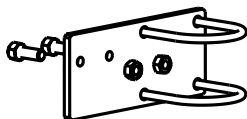
Item	Description	Material	Part Number	Quantity
	Actuator to Pilot Assembly	N/A	206-007-01	1
	Series 20/20S/20H/20HS			
	Actuator to Pilot Assembly	N/A	206-020-01	1
	Series 20L-Alum / 20L-Bronze			
1	Pilot - Any Series 20 or 20L can be mounted	N/A	N/A	
2	Spring Follower	SST	201-020-01	1
3	Mounting Collar	Brass	206-004-01	1
4	Closing Cap O-Ring	Nitrile	021-124-01	1
5	Pilot Closing Cap			1
	Series 20/20S/20H/20HS Pilots	Bronze	206-005-01	
	Series 20L-Alum. / 20L-Bronze	Bronze	206-017-01	
6	Adjusting Screw			1
	Series 20/20S/20H/20HS Pilots	SST	206-006-01	
	Series 20L-Alum. / 20L-Bronze	Zinc Plated Steel	206-018-01	
7	Cap Screw (5/16-18UNC x 1" (Series 20) x 1-1/4 (Series 20L))			6
	Series 20/20S/20H/20HS Pilots	SST	030-017-01	
	Series 20L-Alum. / 20L-Bronze	SST	030-001-01	
8	Set Screw (#8, 1/4")	SST	030-014-01	1
9	Actuator-to-Pilot Mounting Bracket	Steel	206-001-01	1
10	Cap Screw (1/4" NC x 1/2")	SST	030-013-01	4
11	Slider Coupling			1
	Series 20/20S/20H/20HS Pilots	SST	206-002-01	
	Series 20L-Alum. / 20L-Bronze	SST	206-019-01	
12	Socket Head Shoulder Bolt	SST	030-011-01	1
12a	Button Type Detent Pin (optional)	SST	035-003-01	1
13	Nylok Nut (#10-24)	SST/Nylon	033-003-01	1
14	Adapter Bushing	SST	206-003-01	1
15	Roll Pin (1/8 DIA x 9/16)	Steel	035-002-01	1
16	Enclosure Gasket	Rubber	206-023-01	2
17	Enclosure Plate	Steel	206-022-01	2
18	Cap Screw (1/4" NC x 1/2")	Zinc Plated Steel	030-013-01	4
19	Actuator (Jordan 1000 Series)	N/A		1

Mounting Brackets

20	Actuator Assembly-to-Valve Bracket (not shown in picture)			
	1" Flowgrid Valves (all)	Steel	100-007-01	1
	2" Flowgrid Valves (all)	Steel	100-008-01	1
	3" Flowgrid Valves CL 150/300	Steel	100-009-01	1
	3" Flowgrid Valves CL 600	Steel	100-010-01	1
	4" Flowgrid Valves CL 150/300	Steel	100-011-01	1
	4" Flowgrid Valves CL 600	Steel	100-012-01	1
	6" Flowgrid Valves CL 150/300	Steel	100-018-01	1
	6" Flowgrid Valve CL 600	Steel	100-019-01	1
	8" Flowgrid Valves - Not required			
	10" Flowgrid Valves CL 150	Steel	100-015-01	1
	10" Flowgrid Valves CL 300	Steel	100-017-01	1
	10" Flowgrid Valves CL 600	Steel	100-016-01	1
	12" Flowgrid Valves CL 150	Steel	100-040-01	1
	12" Flowgrid Valves CL 300	Steel	100-041-01	1
	12" Flowgrid Valves CL 600	Steel	100-042-01	1
	Pipe Stand Mount Assembly (opt.)*	Steel	Pipestandkit	1
21	Cap Screw (5/16-18 UNC x1) (Actuator Assembly-to-Valve Bracket)	SST	030-017-01	2
22	Nut (5/16-18 UNC)	SST	032-001-01	2

*Use the Pipe Stand Mounting option for all FlowMax Valves

20 Pipe Stand Mounting Assembly

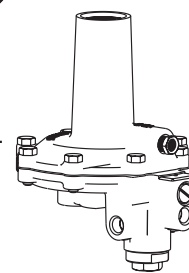


12a Opt: Button-Type Detent Pin

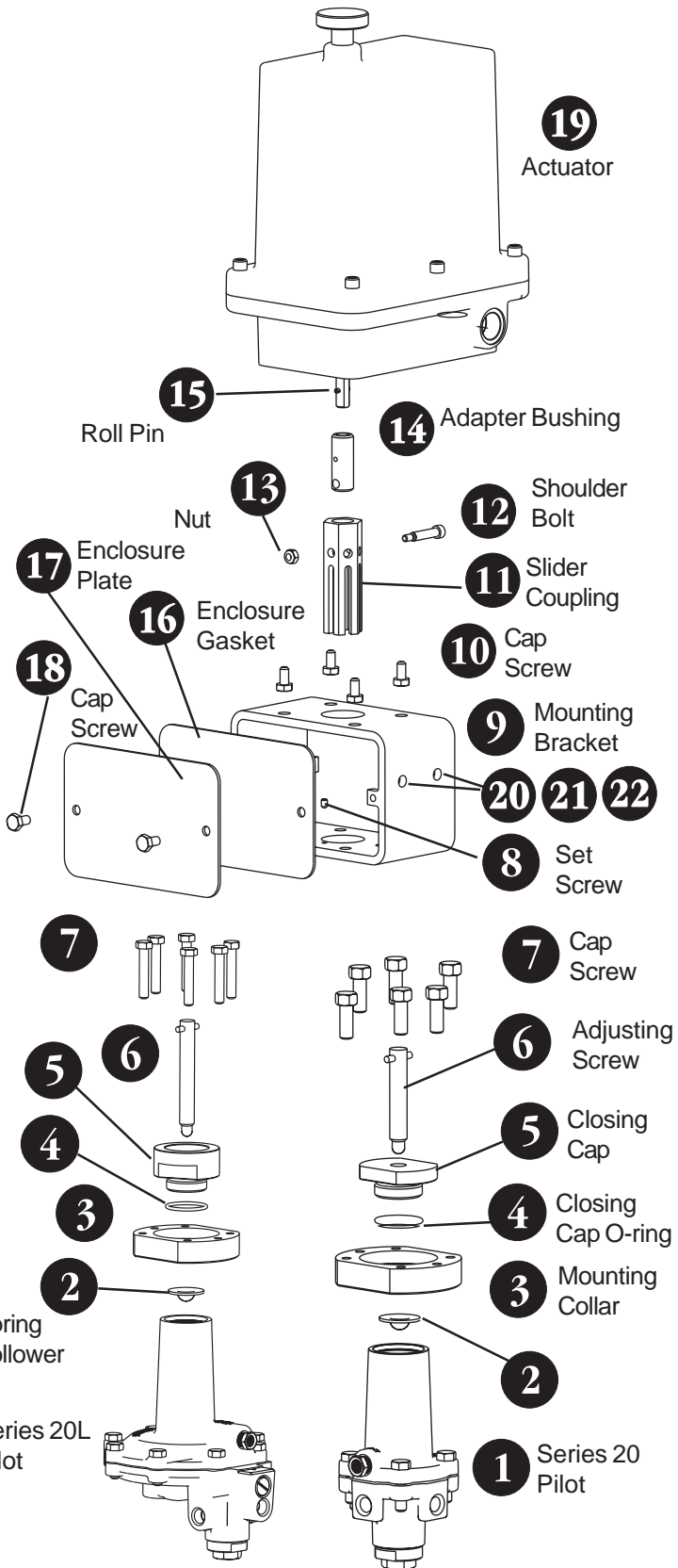
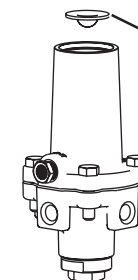


Replaces items 12 & 13

1 Series 20L Pilot



1 Series 20 Pilot

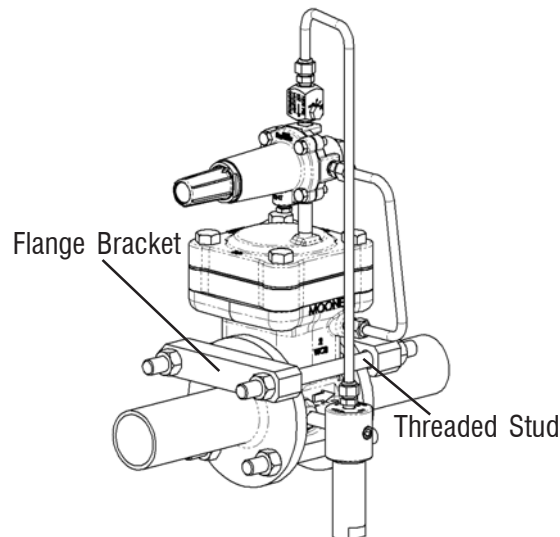


PARTS LIST - Line Bolt Kits

Includes: Line Bolt Kits for all flangeless valves

Kits

<u>Kit Designation</u>	<u>Description</u>	<u>Material</u>	<u>Part Number</u>	<u>Quantity</u>
FG-15A*	2" Standard & LSP Single Port Flangeless CL 150 Kit*			
	5/8-11 UNC x 8.50 Threaded Stud	Steel	031-015-01	4
	5/8 UNC Nut	Steel	032-003-01	8
FG-15B*	2" Standard & LSP Single Port Flangeless CL 300/600 Kit*			
	2" CL 300/600 Flange Bracket Assembly	Steel	101-165-01	2
	5/8-11 UNC x 11.00 Threaded Stud	Steel	031-016-01	2
	5/8-11 UNC x 8.50 Threaded Stud	Steel	031-015-01	6
	5/8 UNC Nut	Steel	032-003-01	16
FG-19A	4" x 3" Single Port Flangeless CL 150 Kit			
	5/8-11 UNC x 2.75 Threaded Stud	Steel	031-005-01	4
	5/8-11 UNC x 9.50 Threaded Stud	Steel	031-011-01	6
	5/8 UNC Nut	Steel	032-003-01	16
FG-20A	4" x 3" Single Port Flangeless CL 300 Kit			
	3/4-10 UNC x 3.50 Threaded Stud	Steel	031-006-01	4
	3/4-10 UNC x 10.25 Threaded Stud	Steel	031-012-01	6
	3/4 UNC Nut	Steel	032-004-01	16
FG-42A	6" x 4" Single Port Flangeless CL 150 Kit			
	3/4-10 UNC x 3.50 Threaded Stud	Steel	031-006-01	4
	3/4-10 UNC x 13.00 Threaded Stud	Steel	031-002-01	6
	3/4 UNC Nut	Steel	032-004-01	16
FG-43A	6" x 4" Single Port Flangeless CL 300 Kit			
	3/4-10 UNC x 3.50 Threaded Stud	Steel	031-006-01	4
	3/4-10 UNC x 13.00 Threaded Stud	Steel	031-002-01	10
	3/4 UNC Nut	Steel	032-004-01	24
Use Part #	2" LSP Type-A Flangeless CL 150 Kit		<u>102-150-01</u>	
	2" Type-A CL 150 Flange Bracket Assembly	Steel	102-164-01	2
	5/8-11 UNC x 9.50 Threaded Stud	Steel	031-011-01	2
	5/8-11 UNC x 7.00 Threaded Stud	Steel	031-020-01	2
	5/8 UNC Nut	Steel	032-003-01	8
Use Part #	2" LSP Type-A Flangeless CL 300 Kit		<u>102-151-01</u>	
	2" CL 300/600 Flange Bracket Assembly	Steel	102-165-01	2
	5/8-11 UNC x 9.50 Threaded Stud	Steel	031-011-01	2
	5/8-11 UNC x 7.00 Threaded Stud	Steel	031-020-01	6
	5/8 UNC Nut	Steel	032-003-01	16
Use Part #	2" LSP Type-A Flangeless CL 600 Kit		<u>102-152-01</u>	
	2" CL 300/600 Flange Bracket Assembly	Steel	102-165-01	2
	5/8-11 UNC x 11.00 Threaded Stud	Steel	031-016-01	2
	5/8-11 UNC x 8.50 Threaded Stud	Steel	031-015-01	6
	5/8 UNC Nut	Steel	032-003-01	16
Use Part #	3" Type-A Flangeless CL 150 Kit		<u>102-165-01</u>	
	3" Type-A CL 150 Flange Assembly	Steel	103-176-01	2
	5/8-11 UNC x 7.75 Threaded Stud	Steel	031-007-01	2
	5/8-11 UNC x 10.75 Threaded Stud	Steel	031-010-01	2
	5/8 UNC Nut	Steel	032-003-01	8
Use Part #	3" Type-A Flangeless CL 300 Kit		<u>102-166-01</u>	
	3" Type-A CL 300 Flange Assembly	Steel	103-177-01	2
	3/4-10 UNC x 8.50 Threaded Stud	Steel	031-022-01	6
	3/4-10 UNC x 11.75 Threaded Stud	Steel	031-023-01	2
	3/4 UNC Nut	Steel	032-004-01	16
Use Part #	4" Type-A Flangeless CL 150 Kit		<u>104-165-01</u>	
	4" Type-A CL 150 Flange Bracket Assembly	Steel	104-167-01	2
	5/8-11 UNC x 8.50 Threaded Stud	Steel	031-015-01	6
	5/8-11 UNC x 11.50 Threaded Stud	Steel	031-021-01	2
	5/8 UNC Nut	Steel	032-003-01	16
Use Part #	4" Type-A Flangeless CL 300 Kit		<u>104-166-01</u>	
	4" Type-A CL 300 Flange Bracket Assembly	Steel	104-168-01	2
	3/4-10 UNC x 10.25 Threaded Stud	Steel	031-012-01	6
	3/4-10 UNC x 13.00 Threaded Stud	Steel	031-002-01	2
	3/4 UNC Nut	Steel	032-004-01	16



Example: 2" Type-A Flangeless Valve

*NOTE: LINE BOLT KITS FOR ALL FLANGELESS VALVES ARE INCLUDED WITH THE VALVE ASSEMBLY EXCEPT FOR KITS 15A & 15B

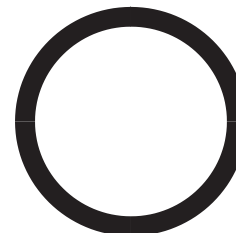
PARTS LIST - Pilot Rebuild & O-Ring Seal Kits

Includes: Series 20 Pilot Rebuild & Seal Kits, Type 24 Restrictor Seal Kits

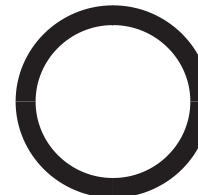
Kits

Kit Designation	Description	Material	Part Number	Quantity
Series 20 & 20L Pilot Rebuild Kits				
Series 20 / 20S - Nitrile Kit	Includes: Pilot Diaphragm Plug & Stem Assembly O-Ring Kit for all Series 20 Pilots	- Nitrile/Nylon SST/Nitrile Nitrile	<u>201-120-01</u> 201-009-01 201-015-01 201-008-01	1 1 1 1
Series 20H / 20HS - Nitrile Kit	Includes: High Pressure Pilot Diaphragm Plug & Stem Assembly O-Ring Kit for all Series 20 Pilots	- Nitrile/Nylon SST/Nitrile Nitrile	<u>201-121-01</u> 201-038-01 201-015-01 201-008-01	1 1 1 1
Series 20L - Alum. / 20L - Bronze - Nitrile Kit	Includes: Pilot Diaphragm Plug & Stem Assembly O-Ring Kit for all Series 20 Pilots	- Nitrile/Nylon SST/Nitrile Nitrile	<u>205-025-01</u> 205-002-01 201-015-01 201-008-01	1 1 1 1
Series 20 / 20S - Viton® Kit	Includes: Pilot Diaphragm Plug & Stem Assembly O-Ring Kit for all Series 20 Pilots	- Viton®/Nylon SST/Viton® Viton®	<u>201-120-02</u> 201-009-02 201-015-02 201-008-02	1 1 1 1
Series 20H / 20HS - Viton® Kit	Includes: High Pressure Pilot Diaphragm Plug & Stem Assembly O-Ring Kit for all Series 20 Pilots	- Viton®/Nylon SST/Viton® Viton®	<u>201-121-02</u> 201-038-02 201-015-02 201-008-02	1 1 1 1
Series 20 & 20L Pilot O-Ring Kits				
NITRILE KIT for all Series 20 Pilots	Includes: Closing Cap O-Ring Bottom Cap O-Ring Orifice O-Ring (Stainless Steel Orifice) Orifice O-Ring (Delrin® Orifice) Body Insert O-Ring (upper) Body Insert O-Ring (lower) Stem O-Ring High Pressure Spacer O-Ring (Series 20H/20HS) Pivot O-Ring (Series 20L only) O-Ring Lubricant (2 gram)	Nitrile Nitrile Nitrile Nitrile Nitrile Nitrile Nitrile Nitrile Nitrile Nitrile Silicon	<u>201-008-01</u> 021-124-01 021-112-01 021-108-01 021-011-01 021-117-02 021-120-01 021-103-01 021-135-01 021-110-01 025-006-01	1 1 1 1 1 1 1 1 1 1 1
VITON® KIT for all Series 20 Pilots	Includes: Closing Cap O-Ring Bottom Cap O-Ring Orifice O-Ring (Stainless Steel Orifice) Orifice O-Ring (Delrin® Orifice) Body Insert O-Ring (upper) Body Insert O-Ring (lower) Stem O-Ring High Pressure Spacer O-Ring (Series 20H/20HS) Pivot O-Ring (Series 20L only) O-Ring Lubricant (2 grams)	Viton® Viton® Viton® Viton® Viton® Viton® Viton® Viton® Viton® Viton® Silicon	<u>201-008-02</u> 021-124-02 021-112-02 021-108-02 021-011-02 021-117-01 021-120-02 021-103-02 021-135-02 021-110-02 025-006-01	1 1 1 1 1 1 1 1 1 1 1
Type 24 Restrictor O-Ring Seal Kits				
Nitrile Kit for the Type 24 & 24S Restrictors	Includes: Restrictor O-Ring O-Ring Lubricant (2 gram)	Nitrile Silicon	<u>240-004-01</u> 021-011-01 025-006-01	2 1
Viton® Kit for the Type 24 & 24S Restrictors	Includes: Restrictor O-Ring O-Ring Lubricant (2 grams)	Viton® Silicon	<u>240-004-02</u> 021-011-02 025-006-01	2 1

©Viton & Delrin are register trademarks of E.I. du Pont de Nemours and Company



BODY INSERT
O-RING
(LOWER)
021-120-01 Nitrile
021-120-02 Viton®



BODY INSERT
O-RING
(UPPER)
021-1117-02 Nitrile
021-117-01 Viton®



BOTTOM CAP O-RING
021-112-01 Nitrile
021-112-02 Viton®



PIVOT O-RING
(SERIES 20L PILOT ONLY)
021-110-01 Nitrile
021-110-02 Viton®



DELRIN® ORIFICE O-RING
**ALSO USED IN THE
TYPE 24 RESTRICTOR**
021-011-01 Nitrile
021-011-02 Viton®



SST ORIFICE O-RING
021-108-01 Nitrile
021-108-02 Viton®



STEM O-RING
021-103-01 Nitrile
021-103-02 Viton®

**O-Rings shown are
actual size for easy
identification**

PARTS LIST - Valve Rebuild Kits

Includes: All Flowgrid® Valves

Kits

Kit Designation	Description	Material	Part Number	Quantity
1" Port Rebuild Kit	<i>Contains:</i>		101-110-XX	1
	Body Seal O-Ring			1
	Nitrile	Nitrile	101-059-01	
	Viton®	Viton	101-059-02	
	Diaphragm			1
1" Flowgrid 250 Port Rebuild Kit	<i>Contains:</i>		120-020-XX	1
	Gasket			
2" STD Port Rebuild Kit	Nitrile	Nitrile	120-008-01	1
	Viton®	Viton®	120-008-02	
2" STD Port Rebuild Kit	Diaphragm (60 Durometer STD)			1
	Nitrile	Nitrile/Nylon	101-056-XX	
2" STD Port Rebuild Kit	Viton®	Viton®/Nylon	101-056-05	
	<i>Contains:</i>		102-160-XX	1
2" STD Port Rebuild Kit	Body Seal O-Ring			1
	Nitrile	Nitrile	102-016-01	
2" STD Port Rebuild Kit	Viton®	Viton®	102-016-02	
	Spacer O-Ring			1
2" STD Port Rebuild Kit	Nitrile	Nitrile	021-244-01	
	Viton®	Viton®	021-244-02	
2" STD Port Rebuild Kit	Diaphragm			1
	Nitrile/Nylon	Nitrile/Nylon	102-013-XX	
2" STD Port Rebuild Kit	Viton®/Nylon	Viton®/Nylon	102-013-05	
	<i>Contains:</i>		102-161-XX	1
2" Large Port Rebuild Kit	Body Seal O-Ring			1
	Nitrile	Nitrile	102-016-01	
2" Large Port Rebuild Kit	Viton®	Viton®	102-016-02	
	Spacer O-Ring			1
2" Large Port Rebuild Kit	Nitrile	Nitrile	021-244-01	
	Viton®	Viton®	021-244-02	
2" Large Port Rebuild Kit	Diaphragm			1
	Nitrile/Nylon	Nitrile/Nylon	102-053-XX	
2" Large Port Rebuild Kit	Viton®/Nylon	Viton®/Nylon	102-053-05	
	<i>Contains:</i>		122-015-XX	1
2" Flowgrid 250 Port Rebuild Kit	Body Seal O-Ring			1
	Nitrile	Nitrile	102-016-01	
2" Flowgrid 250 Port Rebuild Kit	Viton®	Viton®	102-016-02	
	Gasket			
2" Flowgrid 250 Port Rebuild Kit	Nitrile	Nitrile	122-005-01	1
	Viton®	Viton®	122-005-02	
2" Flowgrid 250 Port Rebuild Kit	Diaphragm (60 Durometer STD)			1
	Nitrile	Nitrile/Nylon	101-053-XX	
2" Flowgrid 250 Port Rebuild Kit	Viton®	Viton®/Nylon	101-053-05	
	<i>Contains:</i>		103-175-XX	1
3" Port Rebuild Kit	Body Seal O-Ring			1
	Nitrile	Nitrile	103-112-01	
3" Port Rebuild Kit	Spacer O-Ring			1
	Nitrile	Nitrile	021-364-01	
3" Port Rebuild Kit	Diaphragm O-Ring			1
	Nitrile	Nitrile	021-262-01	
3" Port Rebuild Kit	Diaphragm			1
	Nitrile/Nylon	Nitrile/Nylon	103-005-XX	
4" Port Rebuild Kit	<i>Contains:</i>		104-155-XX	1
	Body Seal O-Ring			1
4" Port Rebuild Kit	Nitrile	Nitrile	104-016-01	
	Spacer O-Ring			1
4" Port Rebuild Kit	Nitrile	Nitrile	021-265-01	
	Diaphragm			1
4" Port Rebuild Kit	Nitrile/Nylon	Nitrile/Nylon	104-013-XX	
	<i>Contains:</i>		106-050-XX	1
6" Port Rebuild Kit	Body Seal O-Ring			1
	Nitrile	Nitrile	106-007-01	
6" Port Rebuild Kit	Spacer O-Ring			1
	Nitrile	Nitrile	021-275-01	
6" Port Rebuild Kit	Diaphragm			1
	Nitrile/Nylon	Nitrile/Nylon	106-005-XX	
8" Port Rebuild Kit	<i>Contains:</i>		108-040-XX	1
	Body Seal O-Ring			1
8" Port Rebuild Kit	Nitrile	Nitrile	108-016-01	
	Spacer O-Ring			2
8" Port Rebuild Kit	Nitrile	Nitrile	021-383-01	
	Diaphragm			1
8" Port Rebuild Kit	Nitrile/Nylon	Nitrile/Nylon	108-002-XX	

"XX" indicates the durometer of the diaphragm as listed below:

-01 (75 Durometer), -02 (60 Durometer), -03 (80 Durometer High ACN), -04 (80 Durometer Low ACN), -05 (Viton®)**

* Dual Port Valves require two (2) Port Kits each.

**Viton® Kit only available for the 1" Port, 1" Flowgrid 250 Port, 2" Standard Port & 2" Large Port Kits.

®Viton is a registered trademark of E.I. du Pont de Nemours and Company

PARTS LIST - Valve Rebuild Kits

Includes: All FlowMax® Valves

Kits

<u>Kit Designation</u>	<u>Description</u>	<u>Material</u>	<u>Part Number</u>	<u>Quantity</u>
FlowMax® Valve Rebuild Kits				
2" FlowMax Rebuild Kit	<i>Includes:</i>	-	<u>132-090-01</u>	1
	Plug Seal	Nitrile	132-070-01	1
	Main Diaphragm	Nitrile/Nylon	132-038-01	1
	Balancing Diaphragm	Nitrile/Nylon	132-039-01	1
	Piston Ring	Nylon	132-085-01	1
	O-Ring Kit (refer to page 21)	Nitrile	132-075-01	1
	Body Gasket	Neoprene	132-025-01	1
3" FlowMax Rebuild Kit	<i>Includes:</i>	-	<u>133-090-01</u>	1
	Plug Seal	Nitrile	133-042-01	1
	Main Diaphragm	Nitrile/Nylon	133-038-01	1
	Balancing Diaphragm	Nitrile/Nylon	133-039-01	1
	Piston Ring	Nylon	133-034-01	1
	O-Ring Kit (refer to page 23)	Nitrile	133-055-01	1
	Body Gasket	Neoprene	133-025-01	1
4" FlowMax Rebuild Kit	<i>Includes:</i>	-	<u>134-090-01</u>	1
	Plug Seal	Nitrile	134-042-01	1
	Main Diaphragm	Nitrile/Nylon	134-038-01	1
	Balancing Diaphragm	Nitrile/Nylon	134-039-01	1
	Piston Ring	Nylon	134-034-01	1
	O-Ring Kit (refer to page 25)	Nitrile	134-055-01	1
	Body Gasket	Neoprene	134-025-01	1
6" FlowMax Rebuild Kit	<i>Includes:</i>	-	<u>136-090-01</u>	1
	Plug Seal	Nitrile	136-042-01	1
	Main Diaphragm	Nitrile/Nylon	136-038-01	1
	Balancing Diaphragm	Nitrile/Nylon	136-039-01	1
	Piston Ring	Nylon	136-034-01	1
	O-Ring Kit (refer to page 27)	Nitrile	136-055-01	1

STOCK NUMBER INDEX FOR VALVES AND PILOTS

Flowgrid® Valve Body Stock Numbers

Stock No.	Page Number	Description
FG-1	7	2" Standard Single Port CI 600 NPT
FG-2	7	2" Standard Single Port CI 600 SWE
FG-3	7	2" Standard Single Port CI 150 Flanged
FG-4	7	2" Standard Single Port CI 300 Flanged
FG-5	7	2" Standard Single Port CI 600 Flanged
FG-9	9	2" Dual Port CI 300 Flanged
FG-10	9	2" Standard Dual Port CI 600 Flanged
FG-11	3	1" Single Port NPT
FG-12	3	1" Single Port SWE
FG-13	3	1 1/4" Single Port NPT
FG-14	3	1 1/4" Single Port SWE
FG-15	7	2" Standard Single Port Flgless
FG-16	13	3" Single Port CI 150 Flanged
FG-17	13	3" Single Port CI 300 Flanged
FG-18	13	3" Single Port CI 600 Flanged
FG-19	13	4 X 3 Flgless CI 150
FG-20	13	4 X 3 Flgless CI 300
FG-21	14	4" Dual Port CI 150 Flanged
FG-22	14	4" Dual Port CI 300 Flanged
FG-23	14	4" Dual Port CI 600 Flanged
FG-24	4	1" Flowgrid 250 Single Port NPT
FG-25	4	1 1/4" Flowgrid 250 Single Port NPT
FG-26	4	1 1/2" Flowgrid 250 Single Port NPT
FG-27	10	2" Large Single Port NPT
FG-28	10	2" Large Single Port SWE
FG-29	10	2" Large Single Port CI 150 Flanged
FG-30	10	2" Large Single Port CI 300 Flanged
FG-31	10	2" Large Single Port CI 600 Flanged
FG-32	12	2" Large Dual Port CI 150 Flanged
FG-33	12	2" Large Dual Port CI 300 Flanged
FG-34	12	2" Large Dual Port CI 600 Flanged
FG-35	10	2" Large Single Port Flgless
FG-39	15	4" Single Port CI 150 Flanged
FG-40	15	4" Single Port CI 300 Flanged
FG-41	15	4" Single Port CI 600 Flanged
FG-42	15	6 X 4 Single Port Flgless 150
FG-43	15	6 X 4 Single Port Flgless 300
FG-44	16	6" Single Port CI 150 Flanged
FG-45	16	6" Single Port CI 300 Flanged
FG-46	16	6" Single Port CI 600 Flanged
FG-47	3	1 1/2" Single Port NPT
FG-48	3	1 1/2" Single Port SWE
FG-49	3	2"X1" Single Port NPT
FG-50	3	2"X1" Single Port SWE
FG-51	3	2"X1" Single Port CI 150 Flanged
FG-52	3	2"X1" Single Port CI 300 Flanged
FG-53	3	2"X1" Single Port CI 600 Flanged
FG-54	3	1" X 1" Single Port CI 150 Flanged
FG-55	3	1" X 1" Single Port CI 300 Flanged
FG-56	3	1" X 1" Single Port CI 600 Flanged
FG-57	18	10" Dual Port CI 150 Flanged
FG-58	18	10" Dual Port CI 300 Flanged
FG-59	18	10" Dual Port CI 600 Flanged
FG-61	13	3" Butt Weld CI 150/300
FG-62	13	3" Butt Weld CI 600
FG-63	15	4" Butt Weld CI 150/300
FG-64	15	4" Butt Weld CI 600
FG-65	16	6" Butt Weld CI 150/300
FG-66	16	6" Butt Weld CI 600
FG-69	5	2"X1" Dual Port CI 150 Flanged
FG-70	5	2"X1" Dual Port CI 300 Flanged
FG-71	5	2"X1" Dual Port CI 600 Flanged

FG-72	17	8" Single Port CI 150 Flanged
FG-73	17	8" Single Port CI 300 Flanged
FG-74	19	12" Dual Port CI 150 Flanged
FG-75	19	12" Dual Port CI 300 Flanged
FG-76	7	2" Standard Single Port Butt Weld
FG-77	10	2" Large Single Port Butt Weld
FG-80	17	8" Single Port CI 600 Flanged
FG-81	19	12" Dual Port CI 600 Flanged
FG-82	6	2" Ductile Iron NPT
FG-83	6	2" Ductile Iron RF CI 150 Flanged
FG-84	6	2" Ductile Iron FF CI 125 Flanged
FG-86	8	2" Standard Single Port E/F Adapter
FG-87	11	2" Large Single Port E/F Adapter
FG-100	10	2" LSP Type-A CL 150 Flangeless
FG-101	10	2" LSP Type-A CL 300 Flangeless
FG-102	10	2" LSP Type-A CL 600 Flangeless
FG-103	13	3" Single Port Type-A CL 150 Flangeless
FG-104	13	3" Single Port Type-A CL 300 Flangeless
FG-106	15	4" Single Port Type-A CL 150 Flangeless
FG-107	15	4" Single Port Type-A CL 300 Flangeless

FlowMax® Valve Stock Numbers

Stock No.	Page Number	Description
FM-1	20,21	2" CL 150 RF Flanged
FM-2	20,21	2" NPT
FM-3	20,21	2" CL 125 FF Flanged
FM-4	22,23	3" CL 150 RF Flanged
FM-5	22,23	3" CL 125 FF Flanged
FM-6	24,25	4" CL 150 RF Flanged
FM-7	24,25	4" CL 125 FF Flanged
FM-8	26,27	6" CL 150 RF Flanged
FM-9	26,27	6" CL 125 FF Flanged

Series 20 Pilot Stock Numbers

PRV	BPV	Page #	Description
FP-6	FP-16	31,32	Series 20 Brass 10-40 Psig PRV
FP-7	FP-17	31,32	Series 20 Brass 25-90 Psig PRV
FP-8	FP-18	31,32	Series 20 Brass 60-200 Psig PRV
FP-9	FP-19	31,32	Series 20 Brass 100-260 Psig PRV
FP-10	FP-20	31,32	Series 20 Brass 200-450 Psig PRV
FP-26	FP-36	33,34	Series 20S SST 10-40 Psig PRV
FP-27	FP-37	33,34	Series 20S SST 25-90 Psig PRV
FP-28	FP-38	33,34	Series 20S SST 60-200 Psig PRV
FP-29	FP-39	33,34	Series 20S SST 100-260 Psig PRV
FP-30	FP-40	33,34	Series 20S SST 200-450 Psig PRV
FP-41	FP-43	35,36	Series 20H Brass 200-520 Psig PRV
FP-42	FP-44	35,36	Series 20H Brass 400-900 Psig PRV
FP-49	FP-51	31,32	Series 20HS SST 200-520 Psig PRV
FP-50	FP-52	31,32	Series 20HS SST 400-900 Psig PRV
FP-57	FP-58	31,32	Series 20 Brass 3-12 Psig PRV
FP-59	FP-60	33,34	Series 20S SST 3-12 Psig PRV
FP-100		39,40	Series 20L Bronze 5-15 IWC
FP-101		39,40	Series 20L Bronze 10-40 IWC
FP-102		39,40	Series 20L Bronze 1-3
FP-103		39,40	Series 20L Bronze 2-5
FP-104		39,40	Series 20L Bronze 4-8
FP-105		41,42	Series 20L Aluminum 5-15 IWC
FP-106		41,42	Series 20L Aluminum 1-40 IWC
FP-107		41,42	Series 20L Aluminum 1-3
FP-108		41,42	Series 20L Aluminum 2-5
FP-109		41,42	Series 20L Aluminum 4-8